



CHANDLER

MEMBER OF THE CHANEY ENTERPRISES FAMILY

Our mission is to be the supplier of choice that provides
the highest quality of construction products and
services for our valued customers.

CONCRETE MASONRY UNITS
Sizes & Shapes Manual

ESTIMATING GUIDES

The figures shown below are intended for "rule of thumb" rough estimates only:

UNIT QUANTITIES:

Standard Block (8 x 8 x 16)	1.125 block per sq. ft. wall area
Modular Brick	7.0 brick per sq. ft. wall area
Oversize Brick	5.5 brick per sq. ft. wall area

MORTAR QUANTITIES:

UNIT PER 1000	MORTAR/MASONRY CEMENT (BAGS)	SAND (TONS)
4" x 6" Regular CMU	20	4
8", 10" and 12" Regular CMU	25	5
Modular Brick	7	1 ¹ / ₄

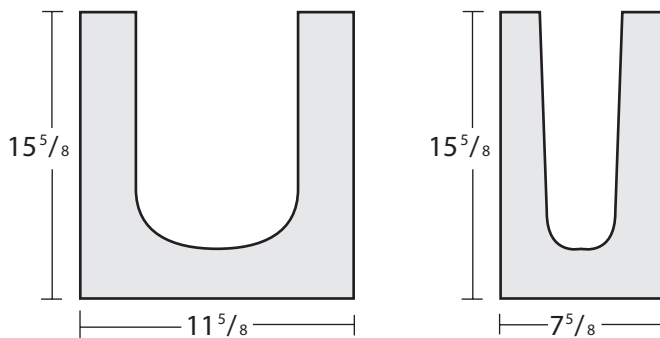
VOLUME REQUIRED TO FILL CORE VOIDS IN BLOCK

All calculations shown are for 2-core masonry units:

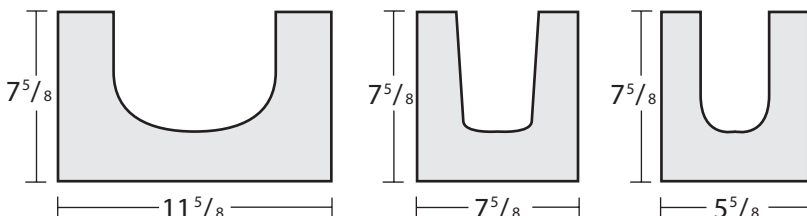
6" x 8" x 16" = .17 ft ³ /block
8" x 8" x 16" = .25 ft ³ /block
10" x 8" x 16" = .33 ft ³ /block
12" x 8" x 16" = .39 ft ³ /block

VOLUME REQUIRED TO FILL LINTELS & BOND BEAMS

All block measurements are to the outside of each unit:



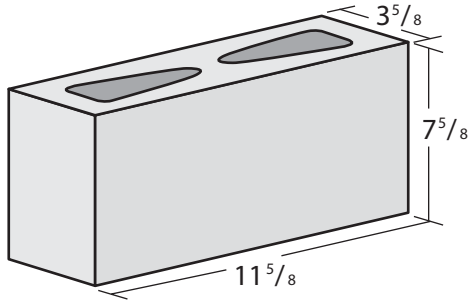
12"W x 16" H = .74 ft³/linear ft.
8"W x 16"H = .46 ft³/linear ft.



12"W x 8"H = .37 ft³/linear ft.
8"W x 8"H = .22 ft³/linear ft.
6"W x 8"H = .173 ft³/linear ft.

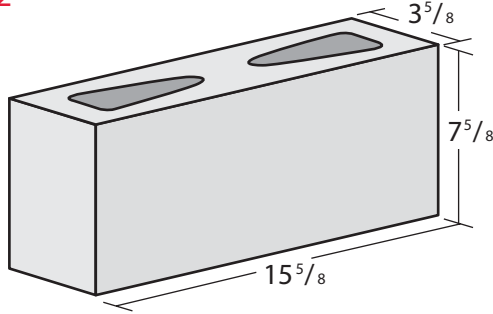
4" CONCRETE MASONRY UNITS

1



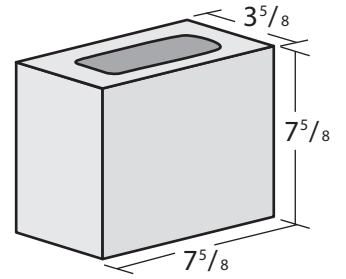
4 x 8 x 12

2



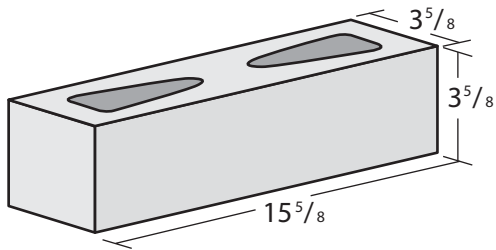
Regular
4 x 8 x 16

3



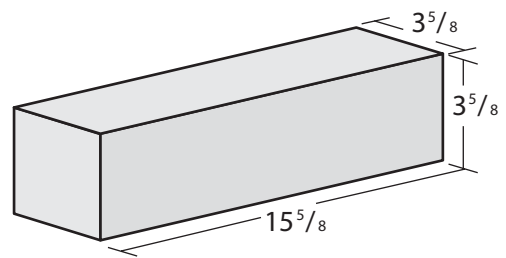
Half
4 x 8 x 8

4



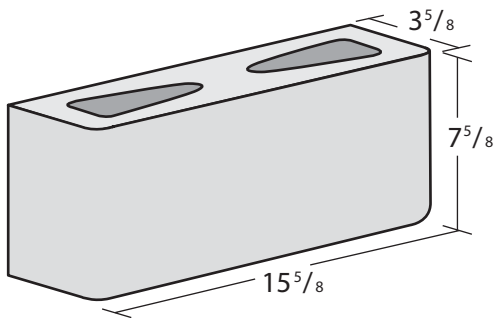
Half High
4 x 4 x 16

5



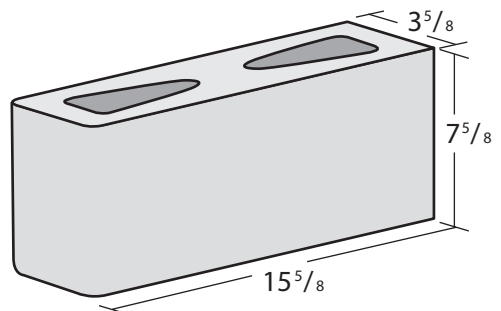
Solid
4 x 4 x 16

6



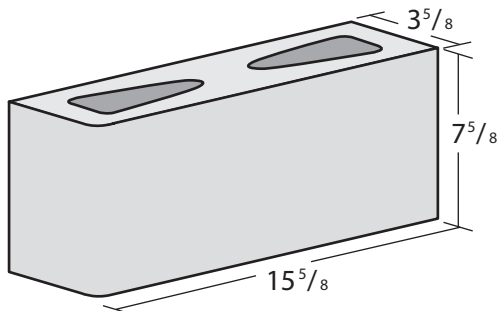
Double Bull Nose Face
4 x 8 x 16

7



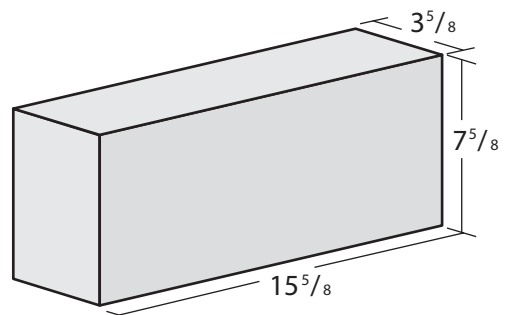
Double Bull Nose End
4 x 8 x 16

8



Single Bull Nose
4 x 8 x 16

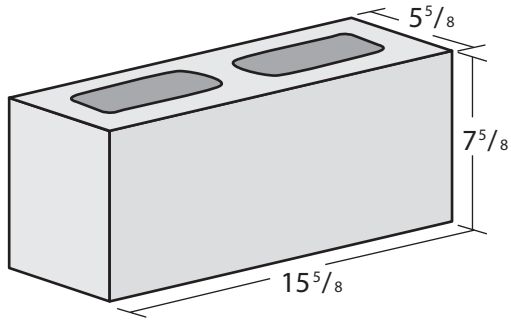
9



Solid
4 x 8 x 16

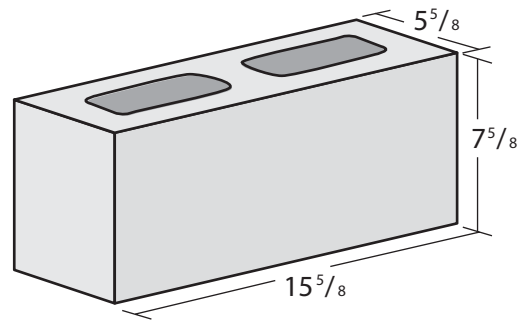
6" CONCRETE MASONRY UNITS

10



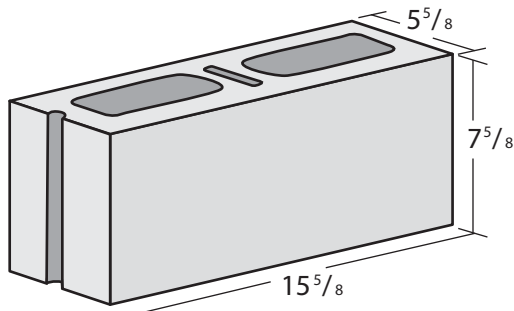
Regular
6 x 8 x 16

11



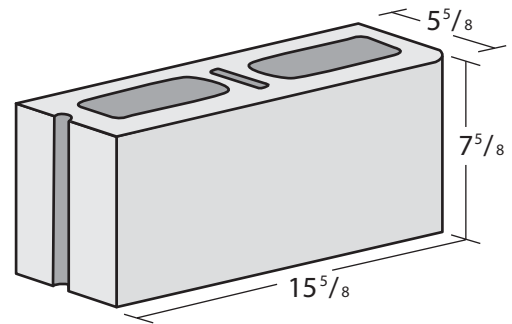
2 Hour Fire Rated (69% Solid)
6 x 8 x 16

12



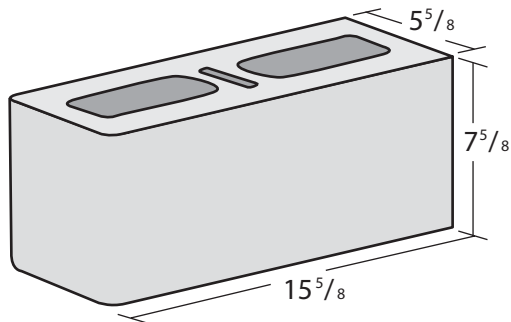
Sash with Breaker
6 x 8 x 16

13



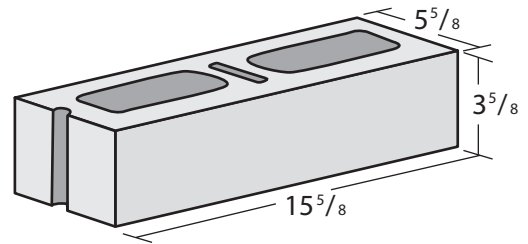
Single Bull Nose
6 x 8 x 16

14



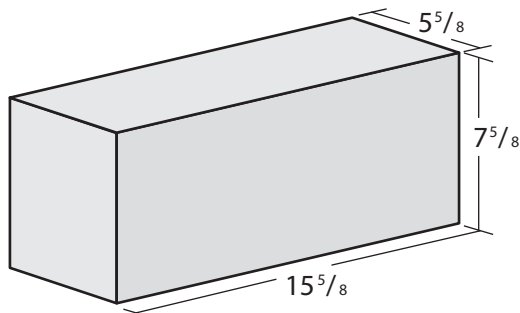
Double Bull Nose End
6 x 8 x 16

15



Half High
6 x 4 x 16

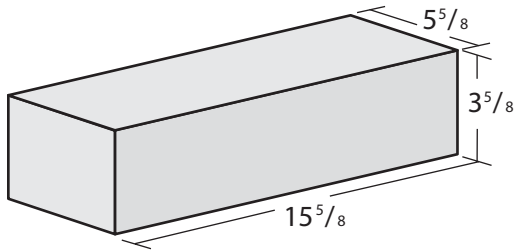
16



Solid
6 x 8 x 16

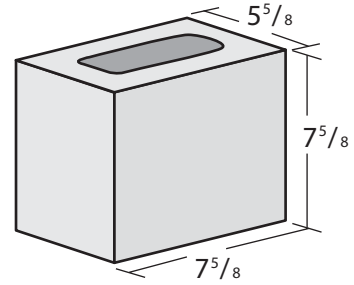
6" CONCRETE MASONRY UNITS

17



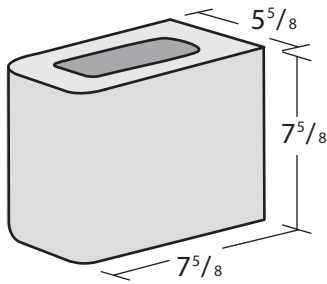
Solid Cap
6 x 4 x 16

18



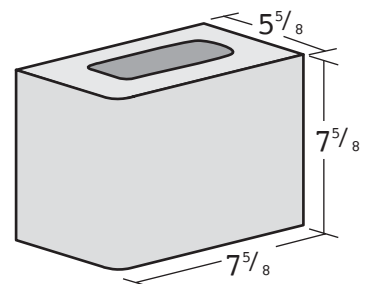
Regular Half
6 x 8 x 8

19



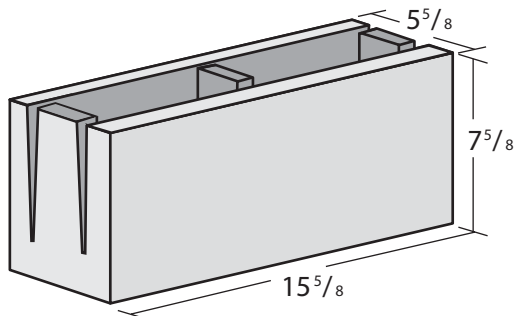
Double Bull Nose Half
6 x 8 x 8

20



Single Bull Nose Half
6 x 8 x 8

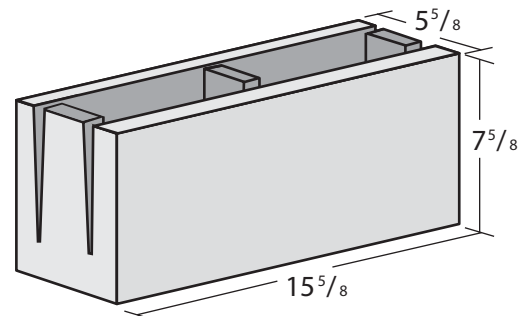
21



Open Bottom Knockout Bond Beam
6 x 8 x 16

special order

22

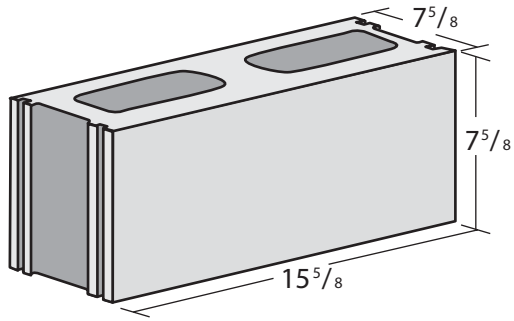


Solid Bottom Knockout Bond Beam
6 x 8 x 16

special order

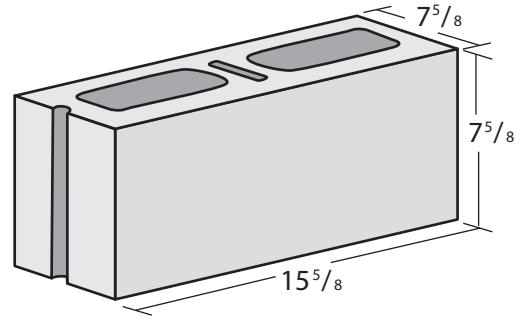
8" CONCRETE MASONRY UNITS

23



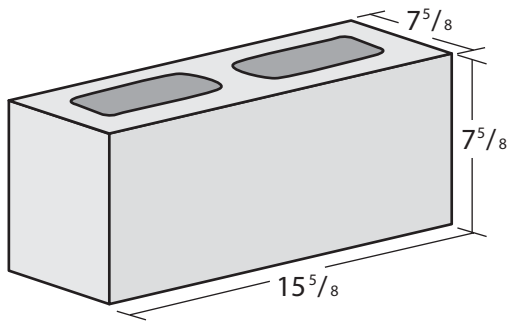
Stretcher
8 x 8 x 16

24



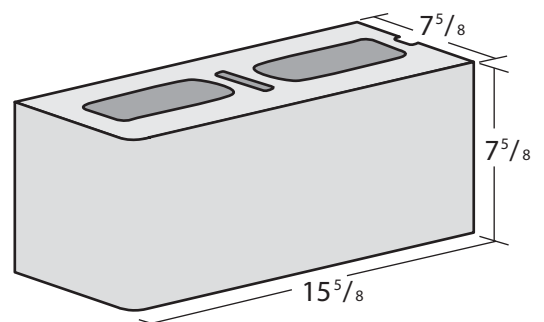
Sash with Breaker
8 x 8 x 16

25



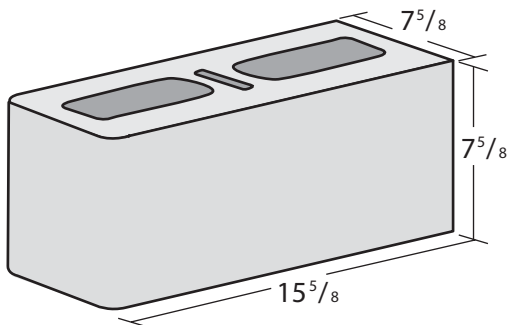
Double Plain End
8 x 8 x 16

26



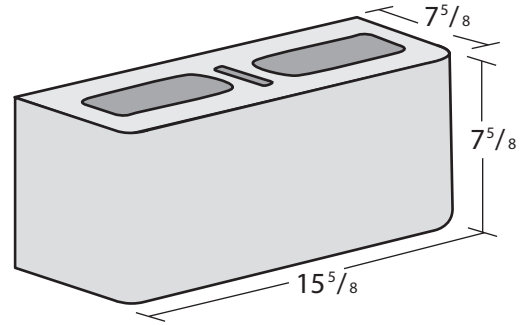
Single Bull Nose
8 x 8 x 16

27



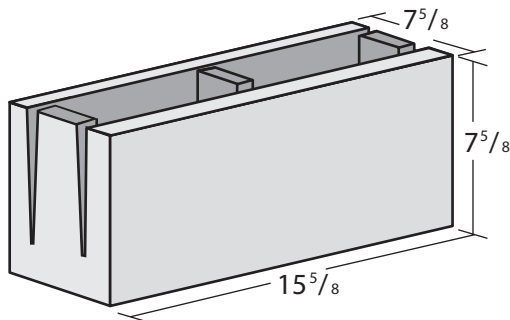
Double Bull Nose End
8 x 8 x 16

28



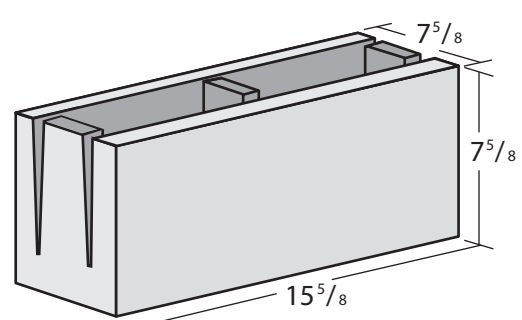
Double Bull Nose Face
8 x 8 x 16

29



Open Bottom Knockout Bond Beam
8 x 8 x 16

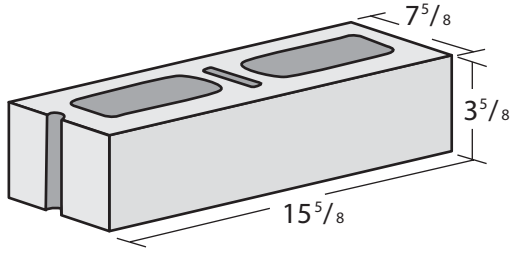
30



Solid Bottom Knockout Bond Beam
8 x 8 x 16

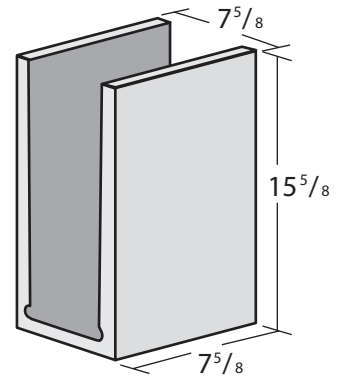
8" CONCRETE MASONRY UNITS

31



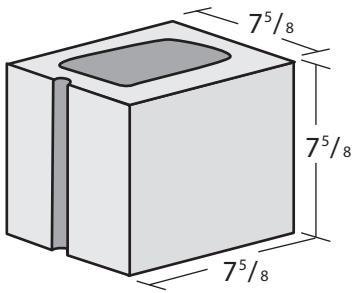
Half High
8 x 4 x 16

32



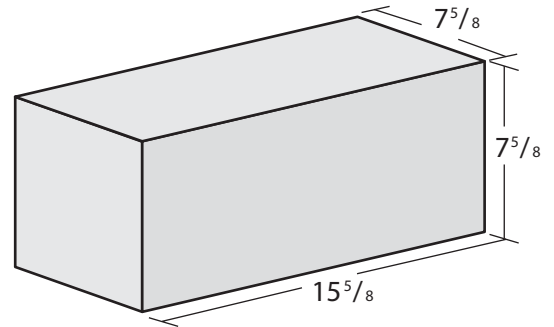
Beam Lintel
8 x 16 x 8

33



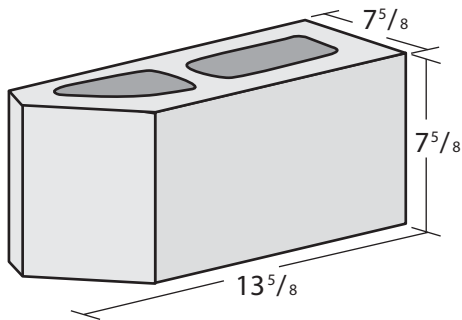
Half
8 x 8 x 8

34



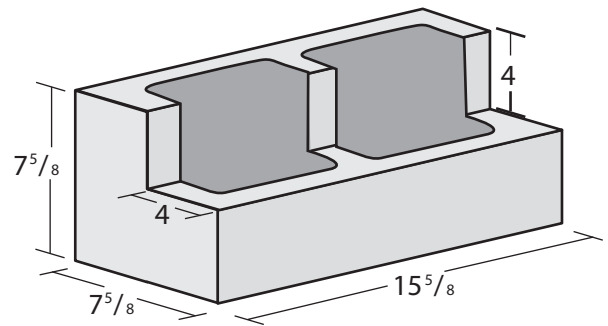
Solid
8 x 8 x 16

35



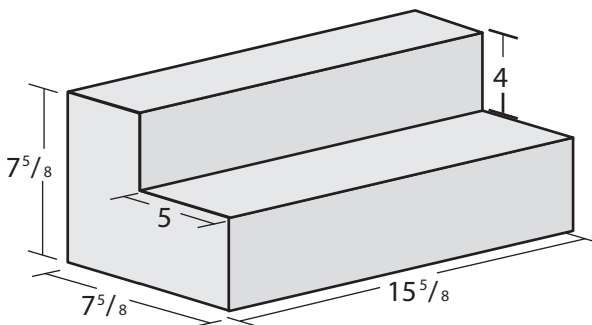
8" - 45° Block

36



Hollow Header
8 x 8 x 16

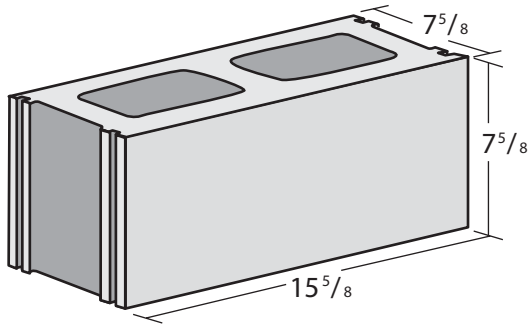
37



Solid Header
8 x 8 x 16

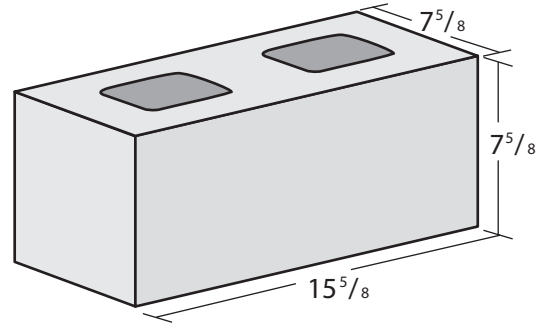
8" CONCRETE MASONRY UNITS

38



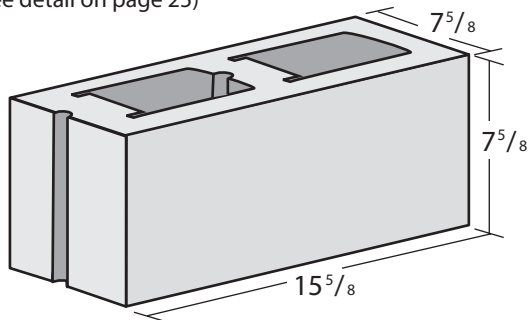
3 Hour Fire Rated
8 x 8 x 16

39



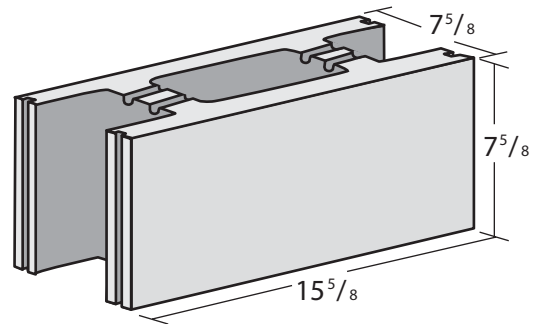
75% Solid
8 x 8 x 16

40 (also see detail on page 25)



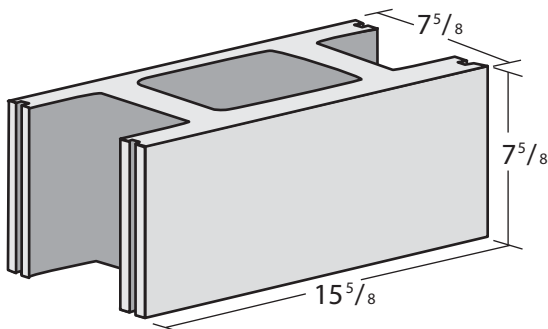
Conduit Block
8 x 8 x 16

41



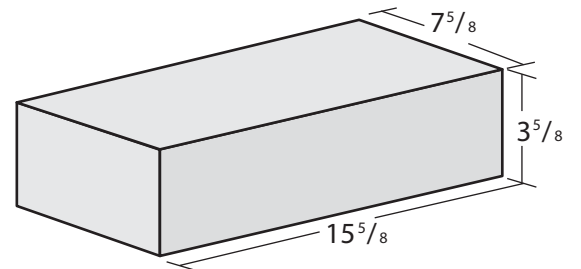
Rebar Block
8 x 8 x 16

42



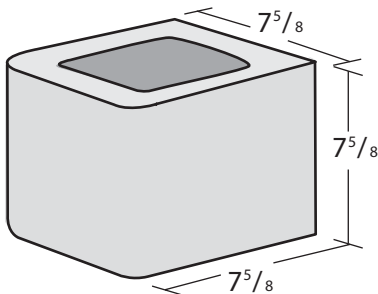
Engineered Block
8 x 8 x 16

43



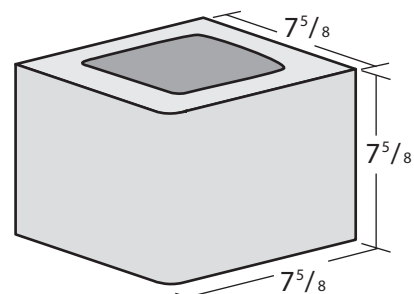
Solid Cap
8 x 4 x 16

44



Double Bull Nose Half
8 x 8 x 8

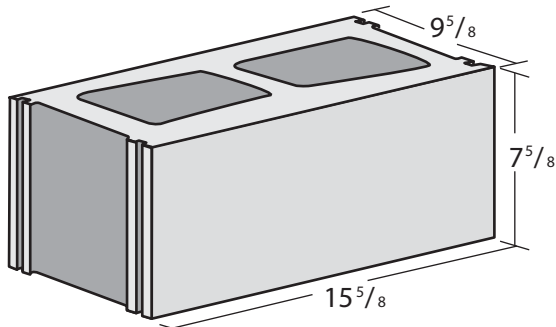
45



Single Bull Nose Half
8 x 8 x 8

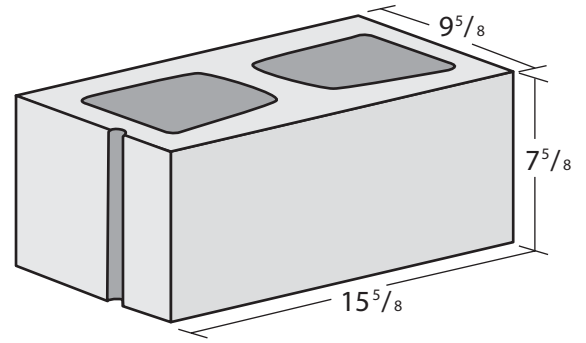
10" CONCRETE MASONRY UNITS

46



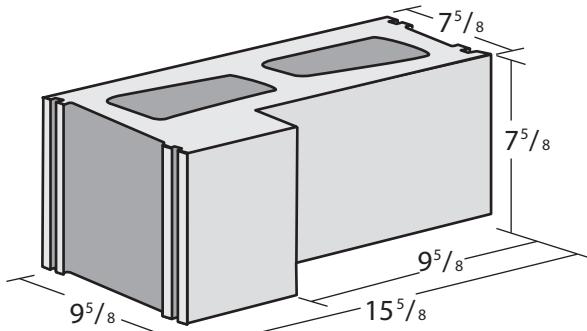
Stretcher
10 x 8 x 16

47



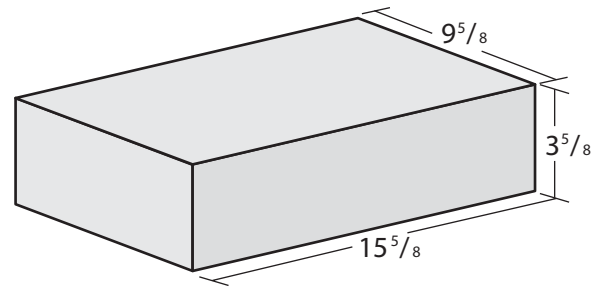
Sash
10 x 8 x 16

48



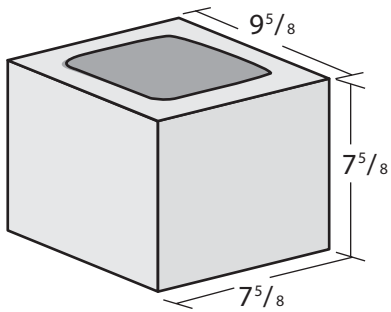
L Corner
10 x 8 x 16

49



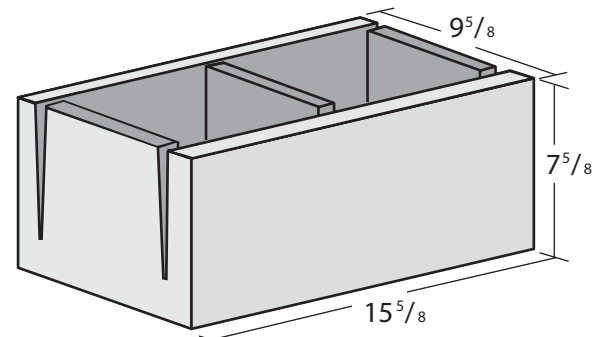
Solid Cap
10 x 4 x 16

50



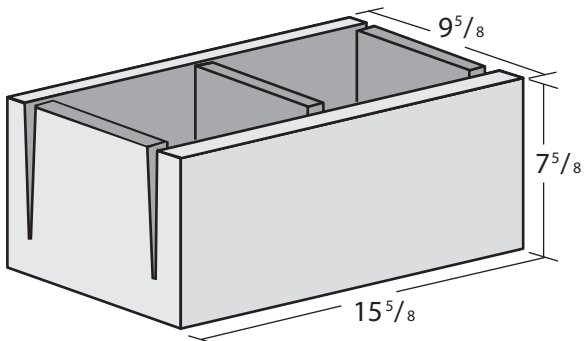
Regular Half
10 x 8 x 8

51



Open Bottom Knockout Bond Beam
10 x 8 x 16

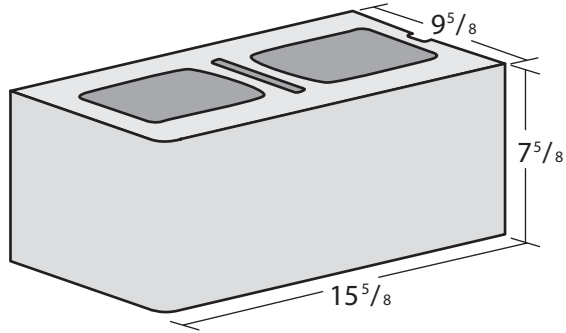
52



Solid Bottom Knockout Bond Beam
10 x 8 x 16

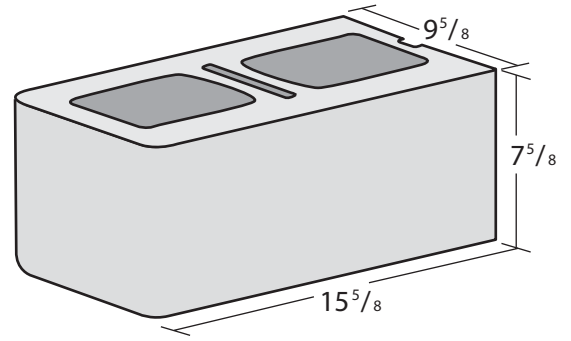
10" CONCRETE MASONRY UNITS

53



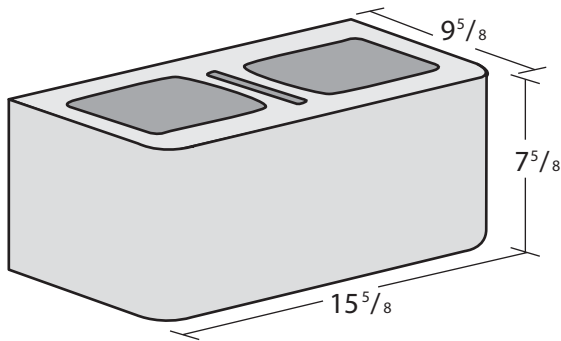
Single Bull Nose
10 x 8 x 16

54



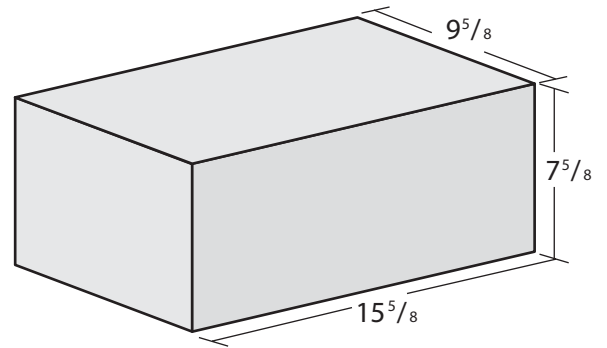
Double Bull Nose
10 x 8 x 16

55



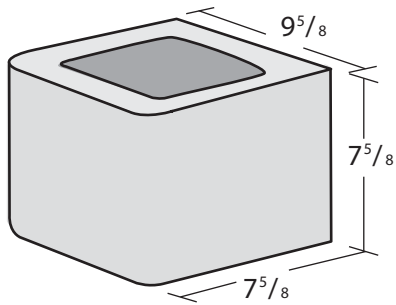
Double Bull Nose Face
10 x 8 x 16

56



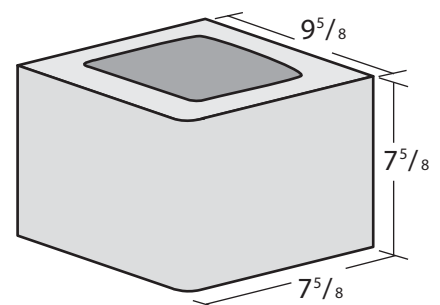
Solid
10 x 8 x 16

57



Double Bull Nose Half
10 x 8 x 8

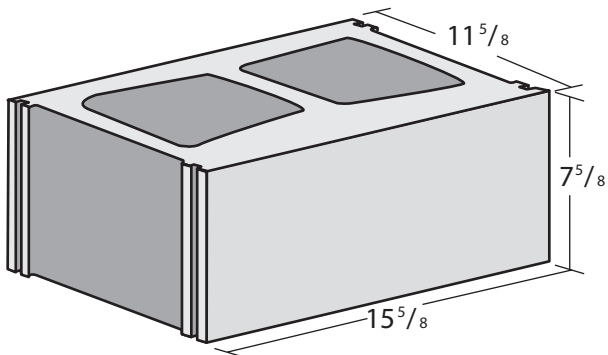
58



Single Bull Nose Half
10 x 8 x 8

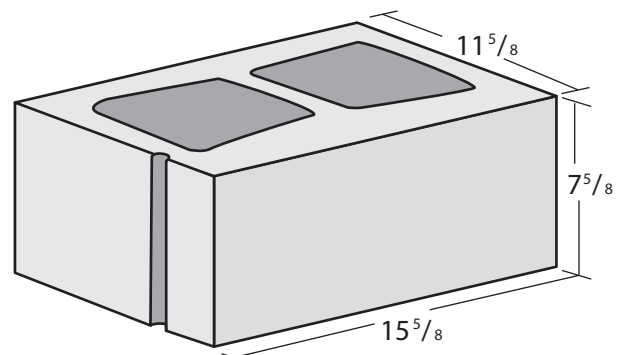
12" CONCRETE MASONRY UNITS

59



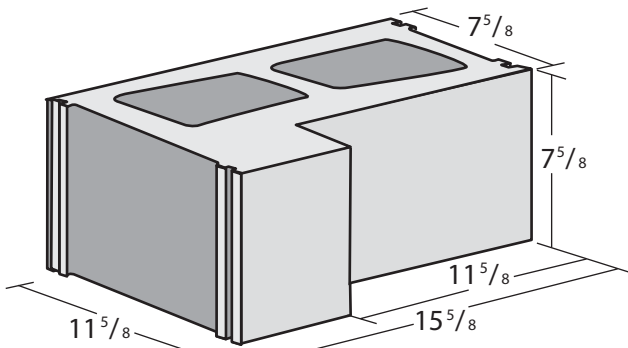
Stretcher
12 x 8 x 16

60



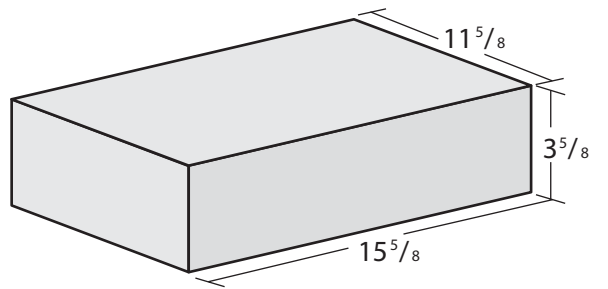
Sash
12 x 8 x 16

61



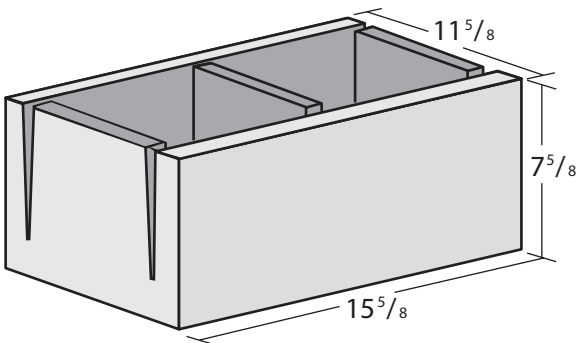
L Corner
12 x 8 x 16

62



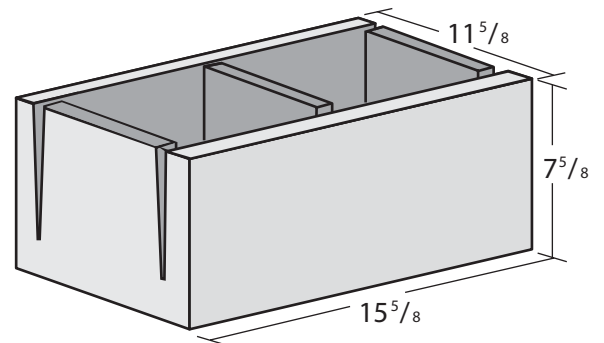
Solid Cap
12 x 4 x 16

63



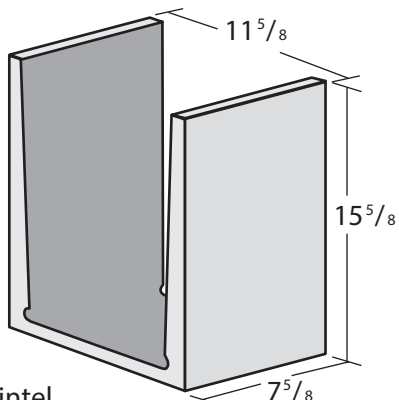
Open Bottom Knockout Bond Beam
12 x 8 x 16

64



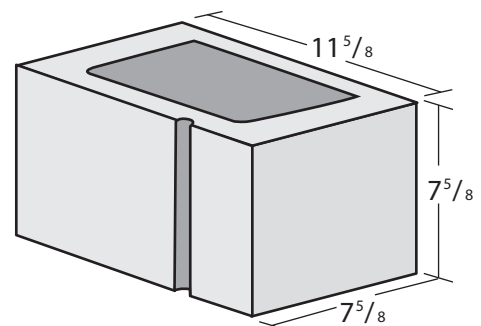
Solid Bottom Knockout Bond Beam
12 x 8 x 16

65



Beam Lintel
12 x 16 x 8

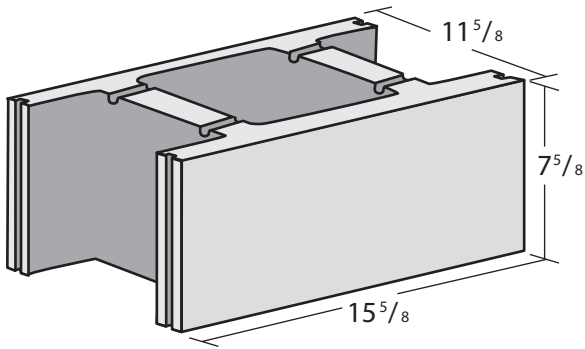
66



Half
12 x 8 x 8

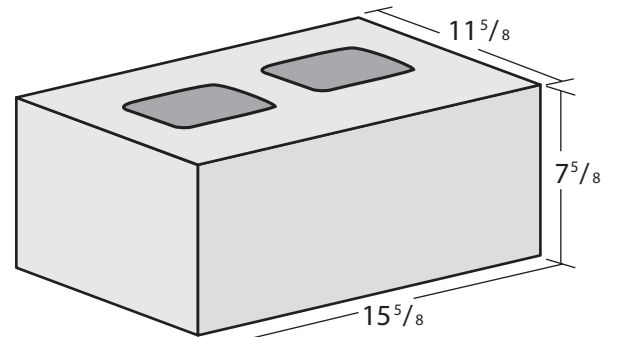
12" CONCRETE MASONRY UNITS

67



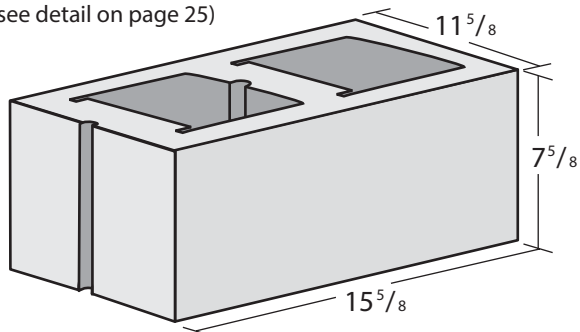
Rebar Block
12 x 8 x 16

68



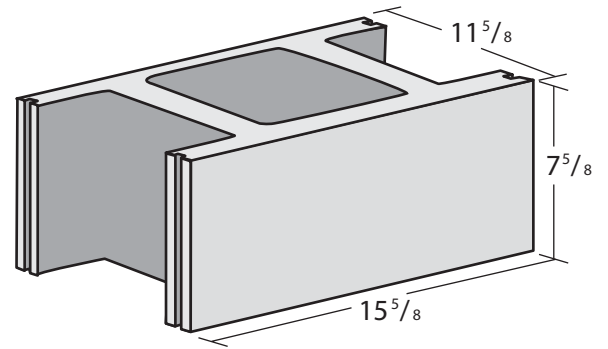
75% Solid Block
12 x 8 x 16

69 (also see detail on page 25)



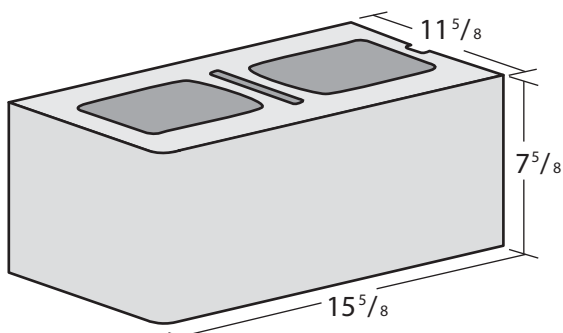
Conduit Block
12 x 8 x 16

70



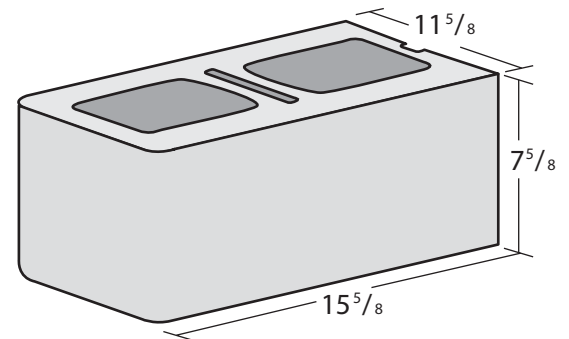
Engineered Block
12 x 8 x 16

71



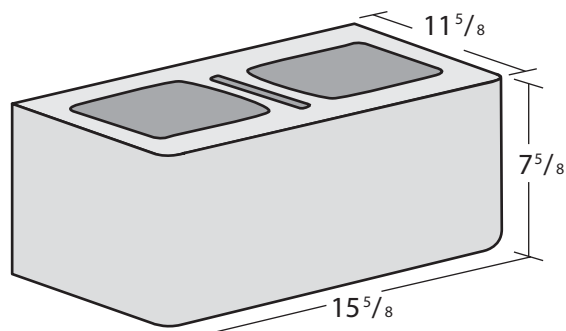
Single Bull Nose
12 x 8 x 16

72



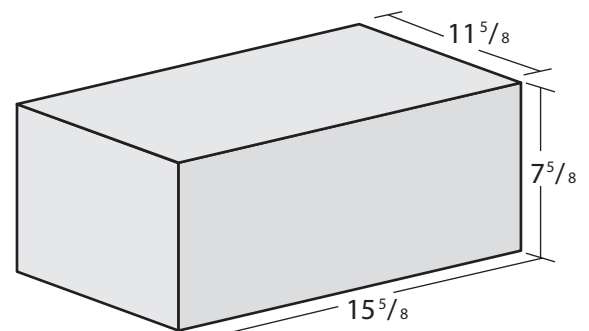
Double Bull Nose End
12 x 8 x 16

73



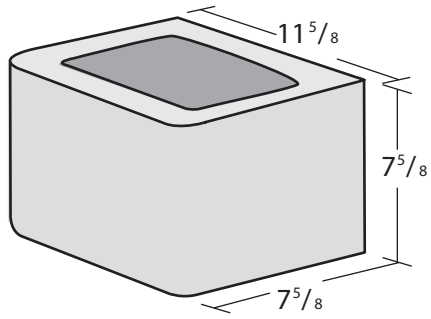
Double Bull Nose Face
12 x 8 x 16

74



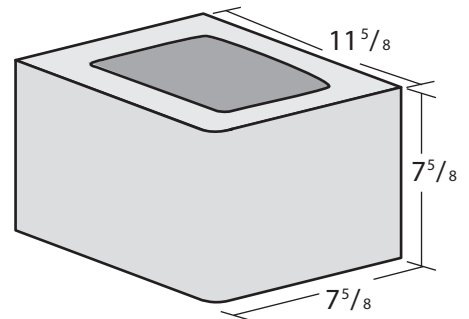
Solid
12 x 8 x 16

75



Double Bull Nose Half
12 x 8 x 8

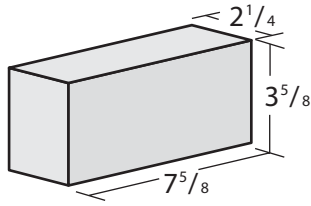
76



Single Bull Nose Half
12 x 8 x 8

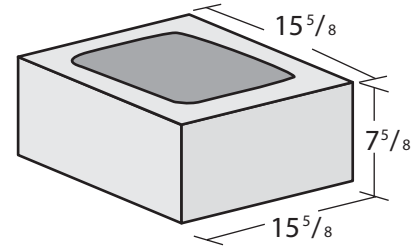
MISCELLANEOUS CONCRETE MASONRY UNITS

77



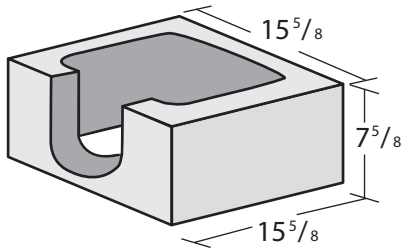
Concrete Brick
 $2\frac{1}{4} \times 3\frac{5}{8} \times 7\frac{5}{8}$

78 (For use with 8 x 8 liner)



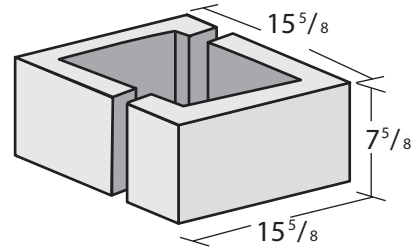
Chimney Regular
16 x 8 x 16

79



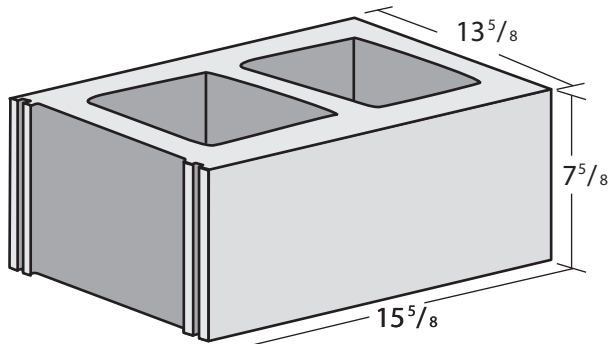
Chimney Eye Block
16 x 8 x 16

80 (For use with 8 x 12 liner)



Chimney Block (2 Piece Unit)
16 x 8 x 16

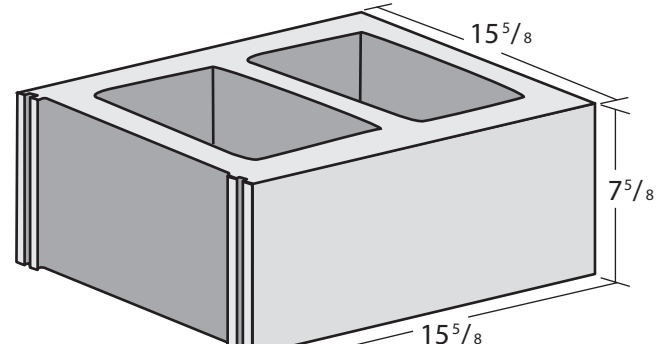
81



Regular
14 x 8 x 16

special order

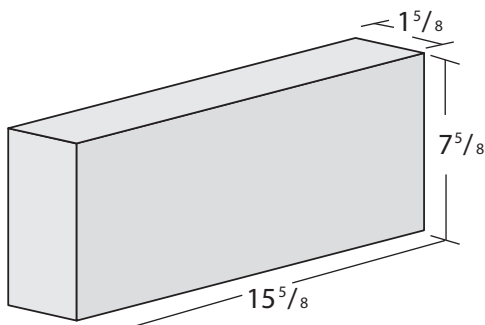
82



Regular
16 x 8 x 16

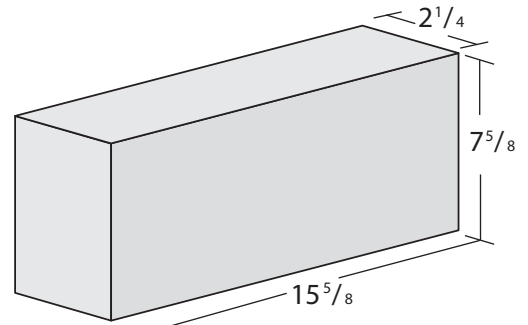
special order

83



Solid
2 x 8 x 16

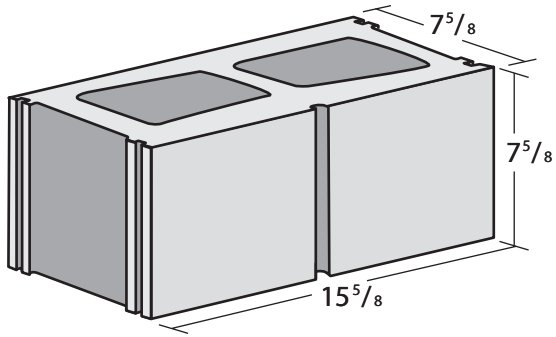
84



Solid
 $2\frac{1}{4} \times 8 \times 16$

MISCELLANEOUS CONCRETE MASONRY UNITS

85



Custom Scored Masonry Units
Also available in 4", 6", 10" and 12" custom
integral colored units or in regular grey units
to be coated or stained after installation.

Scored masonry units are available in all shapes
and sizes desired. Multiple scores can be added
if needed.

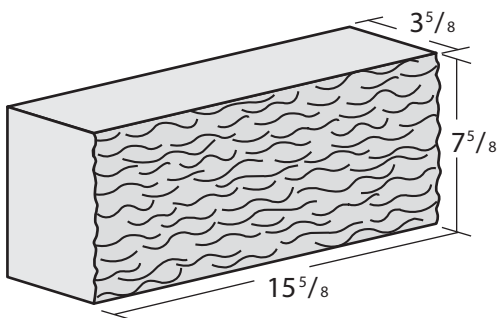
Also available in plain end for columns, etc.

special order

Single Score
8 x 8 x 16

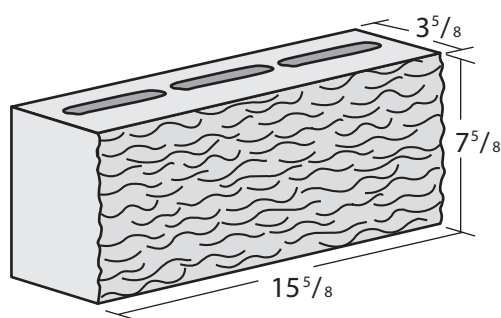
CUSTOM MASONRY SPLIT FACE UNITS

86



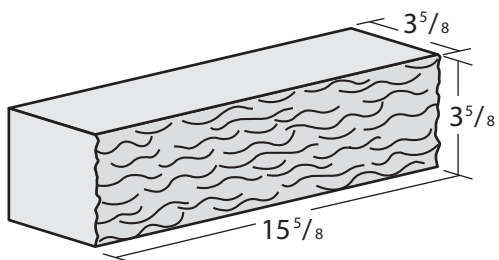
Solid
4 x 8 x 16

87



Split Face Regular
4 x 8 x 16

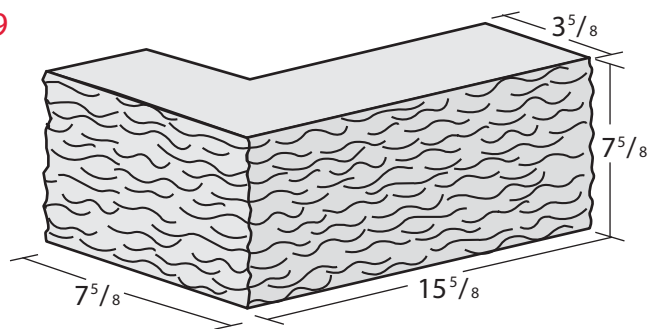
88



Split Face
4 x 4 x 16

special order

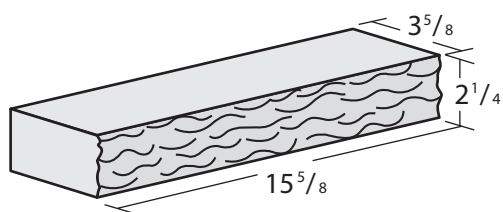
89



Split Face Corner
4 x 8 x 16

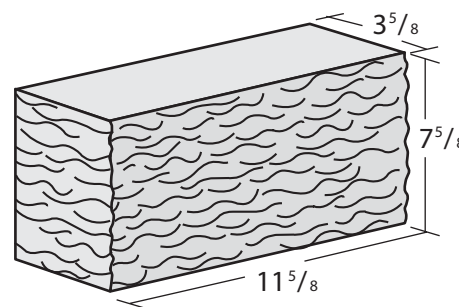
special order

90



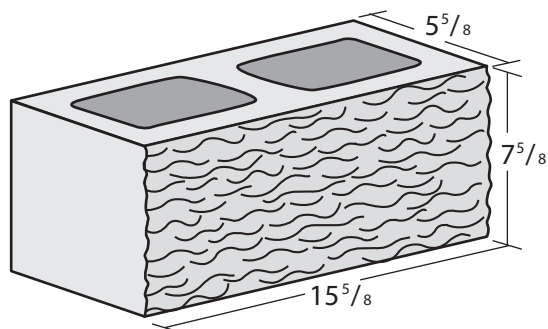
Split Face
4 x 2 1/4 x 16

91



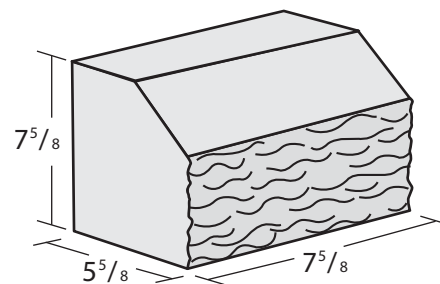
Split Face Corner
4 x 8 x 12

92



Split Face
6 x 8 x 16

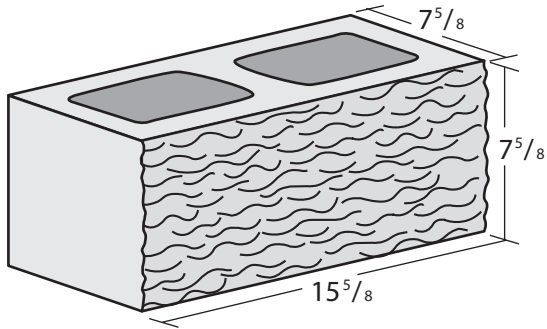
93



Split Sill
6 x 8 x 8

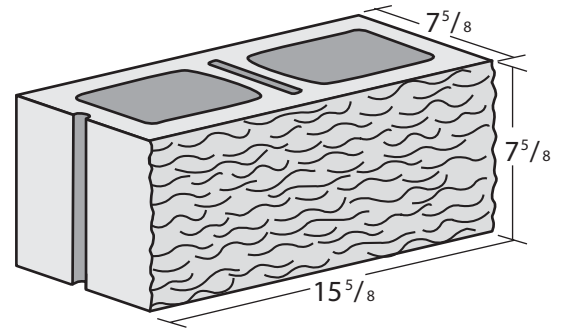
CUSTOM MASONRY SPLIT FACE UNITS

94



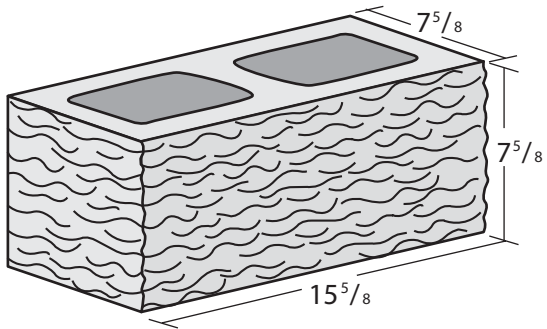
Split Face Regular
8 x 8 x 16

95



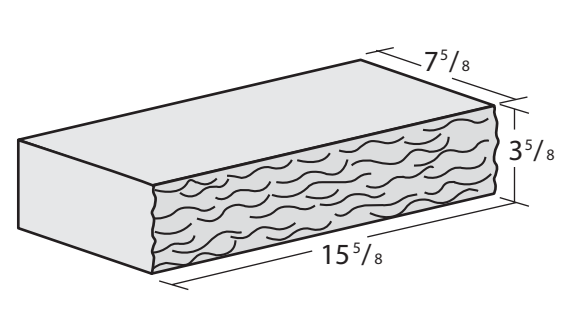
Split Face Sash Breaker
8 x 8 x 16

96



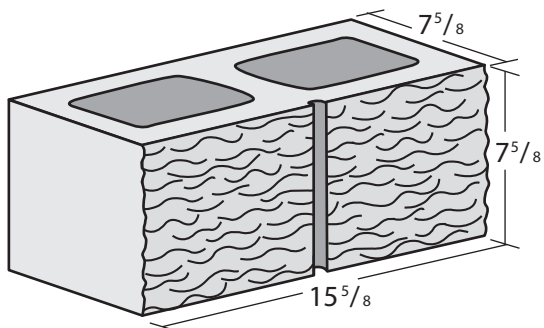
Split Face Corner
8 x 8 x 16

97



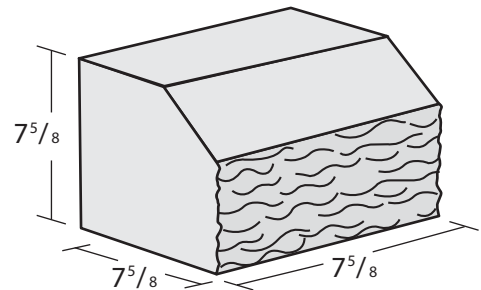
Split Face Cap
8 x 4 x 16

98



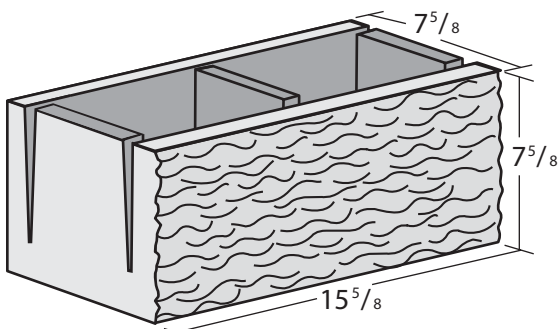
Single Score Split Face
8 x 8 x 16

99



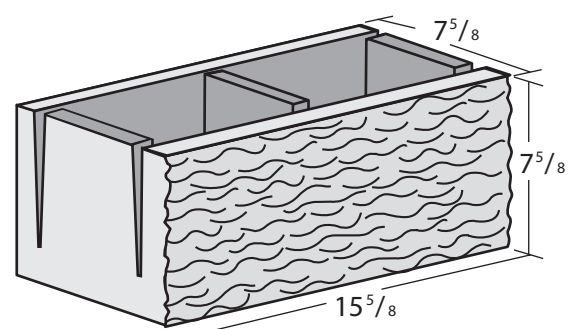
Split Sill
8 x 8 x 8

100



Split Face Knockout Bond Beam
8 x 8 x 16

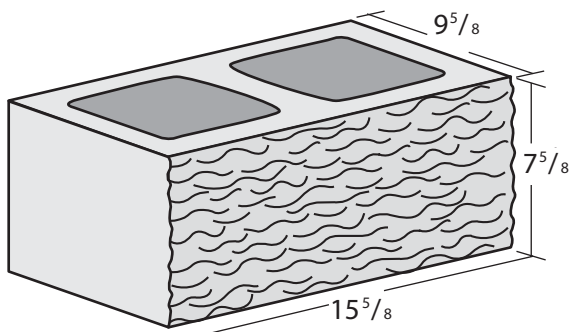
101



Split Face Solid Bottom Bond Beam
8 x 8 x 16

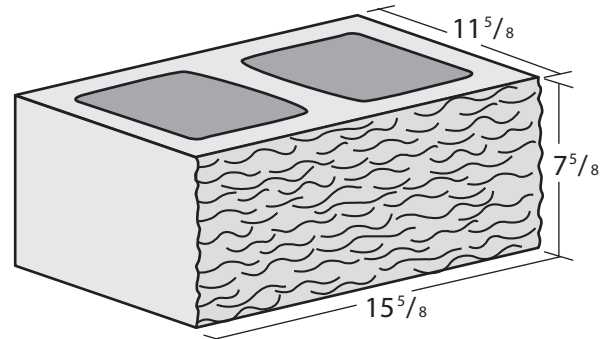
CUSTOM MASONRY SPLIT FACE UNITS

102



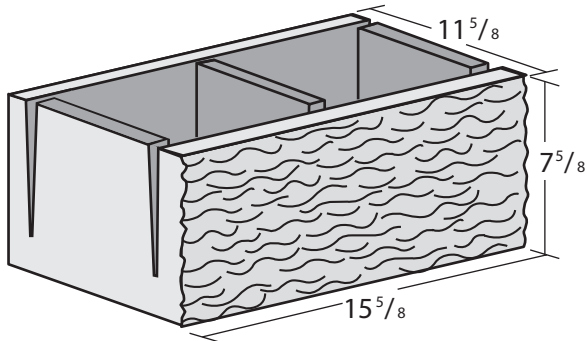
Split Face
10 x 8 x 16

103



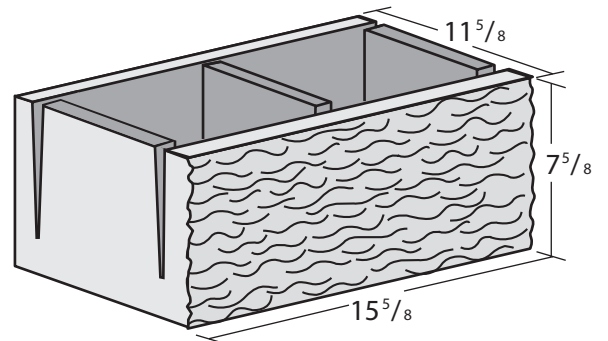
12" Split Face Regular
12 x 8 x 16

104



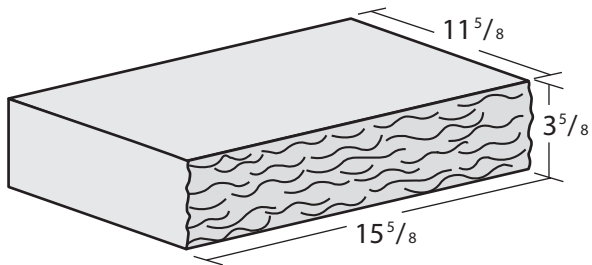
Split Face Knockout Open Bottom Bond Beam
12 x 8 x 16

105



Split Face Solid Bottom Bond Beam
12 x 8 x 16

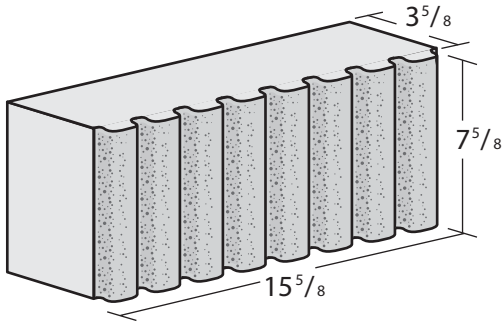
106



Split Face Cap
12 x 4 x 16

CUSTOM MASONRY SPLIT RIB UNITS

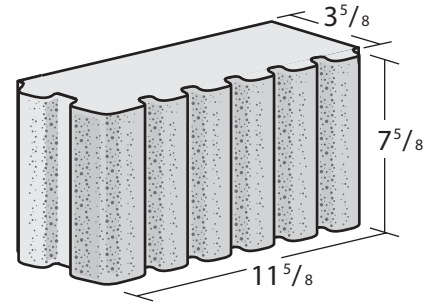
107



Split Rib
4 x 8 x 16

special order

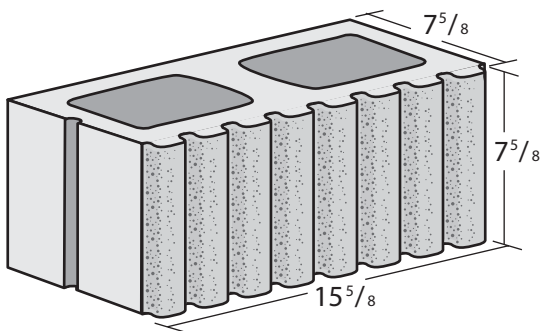
108



Return Corner
4 x 8 x 12

special order

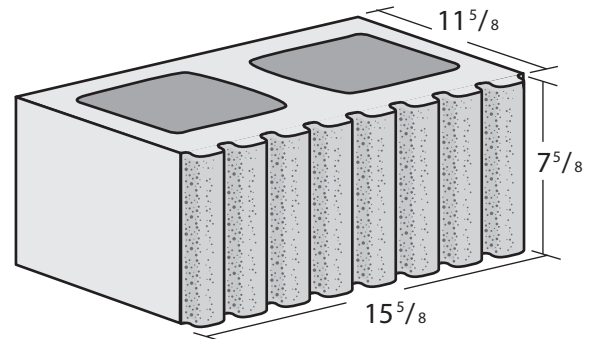
109



Split Rib
8 x 8 x 16

special order

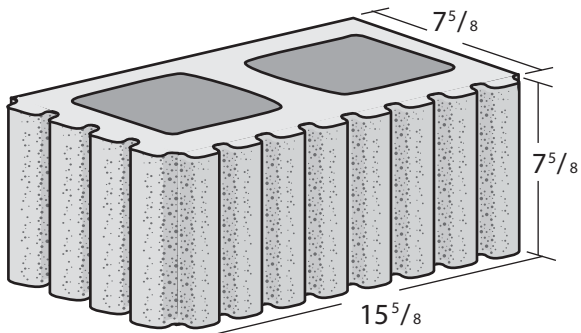
110



Split Rib
12 x 8 x 16

special order

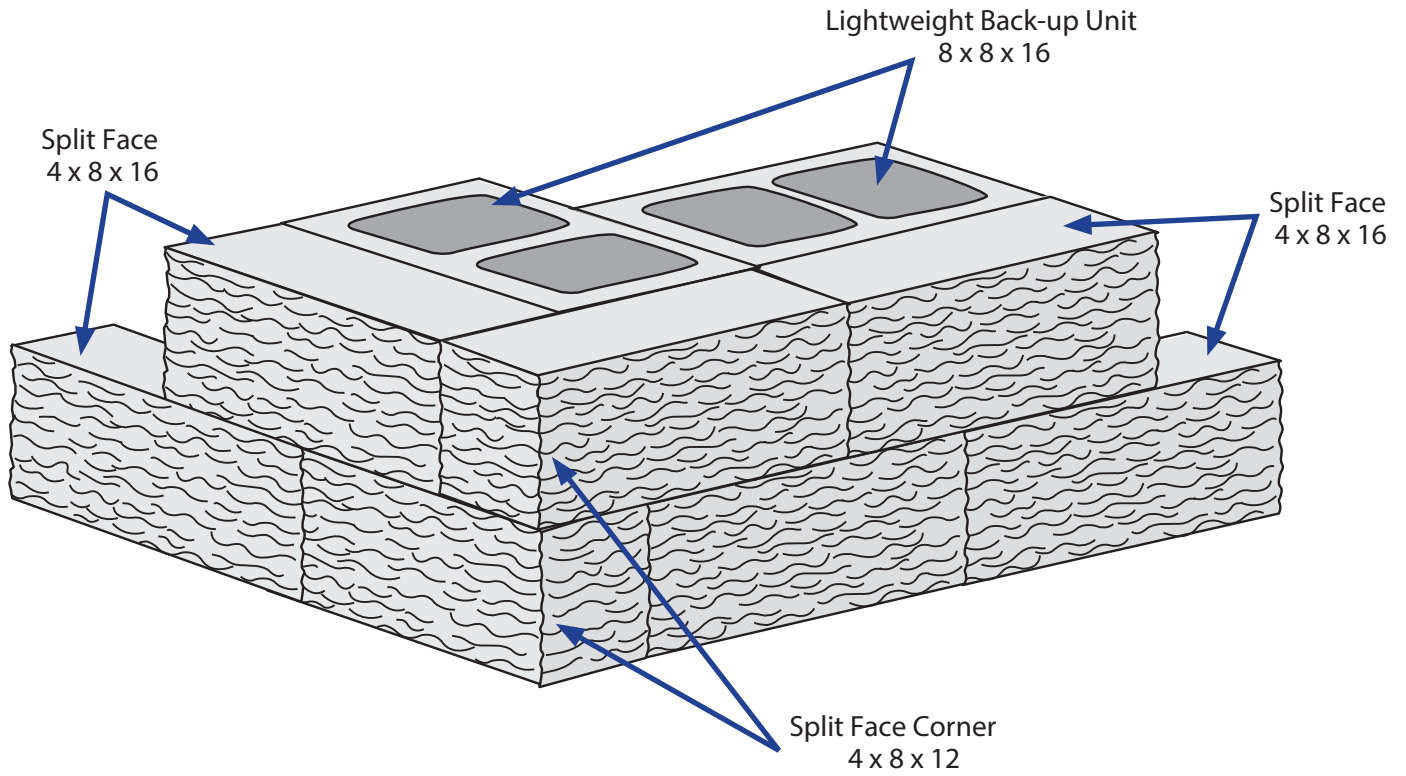
111



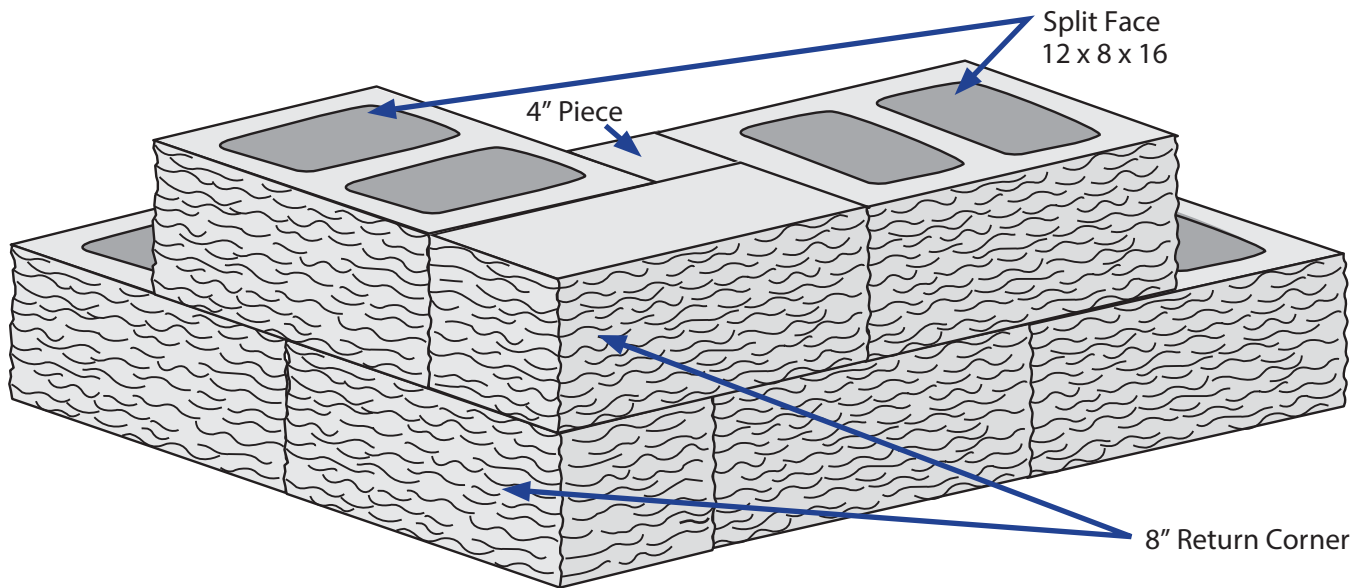
Split Rib Corner
8 x 8 x 16

special order

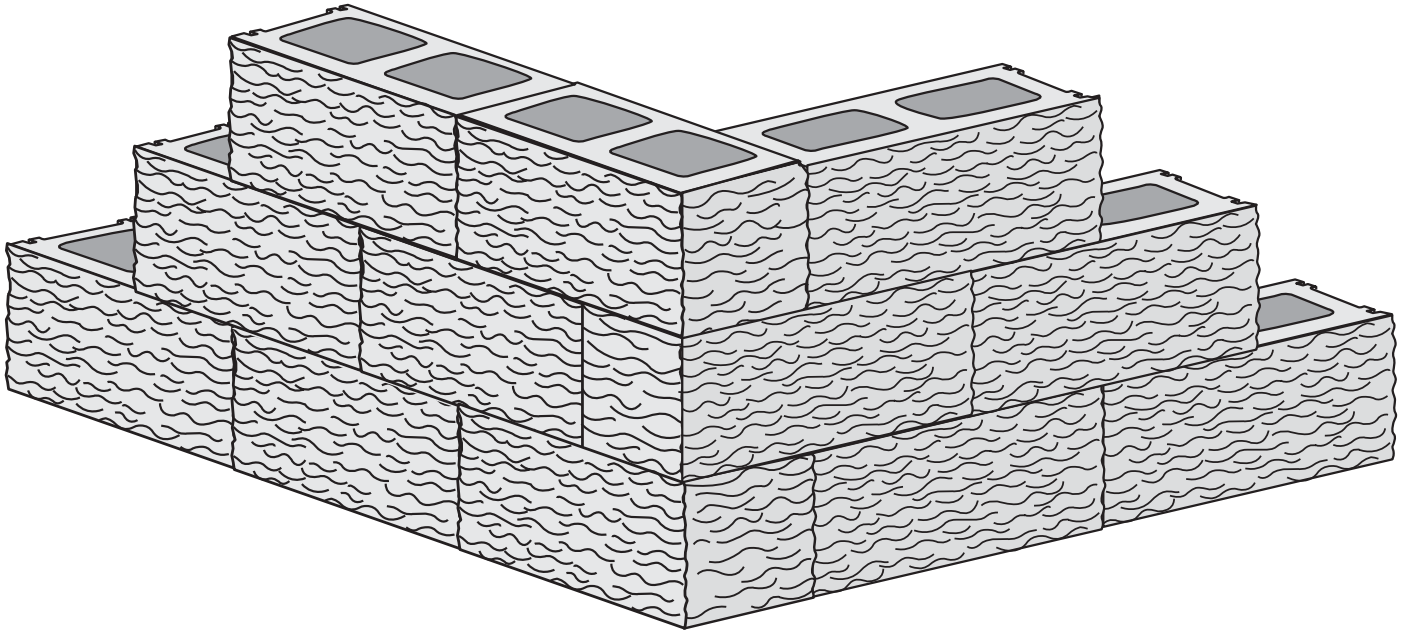
4 x 8 x 12 Split Face Corner Detail for 12" Wall



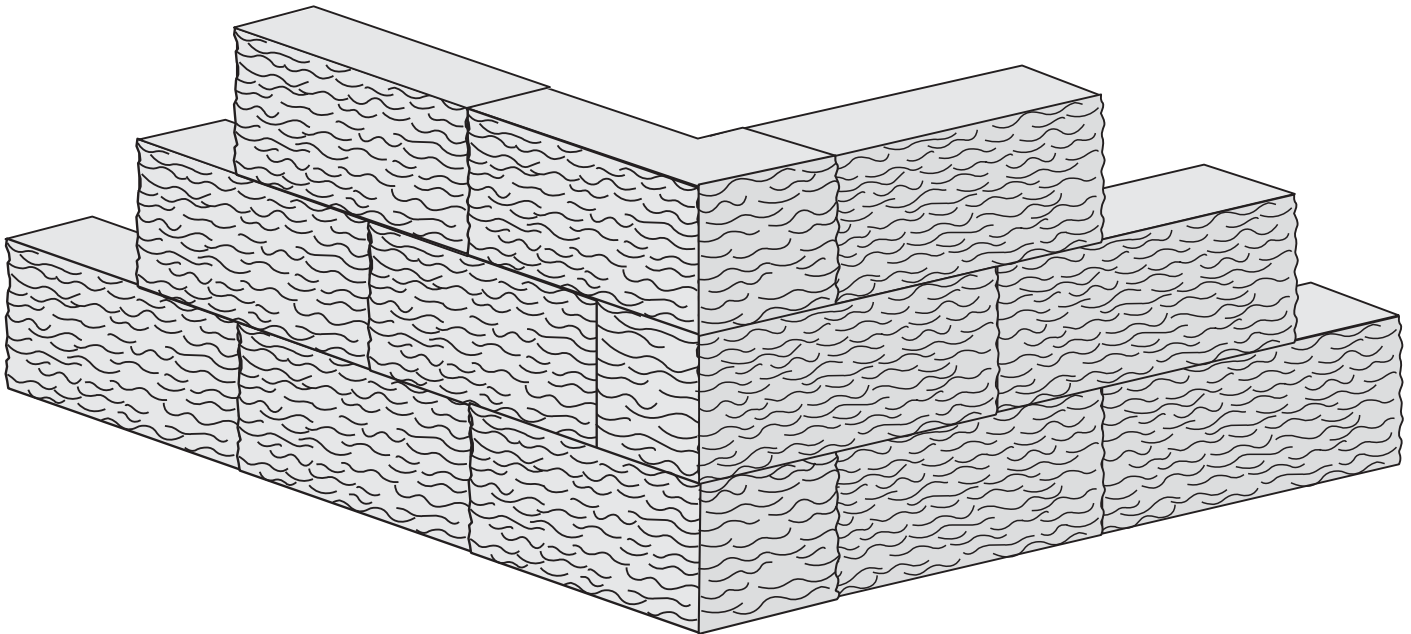
8 x 8 x 16 Split Face Corner Detail for 12" Wall



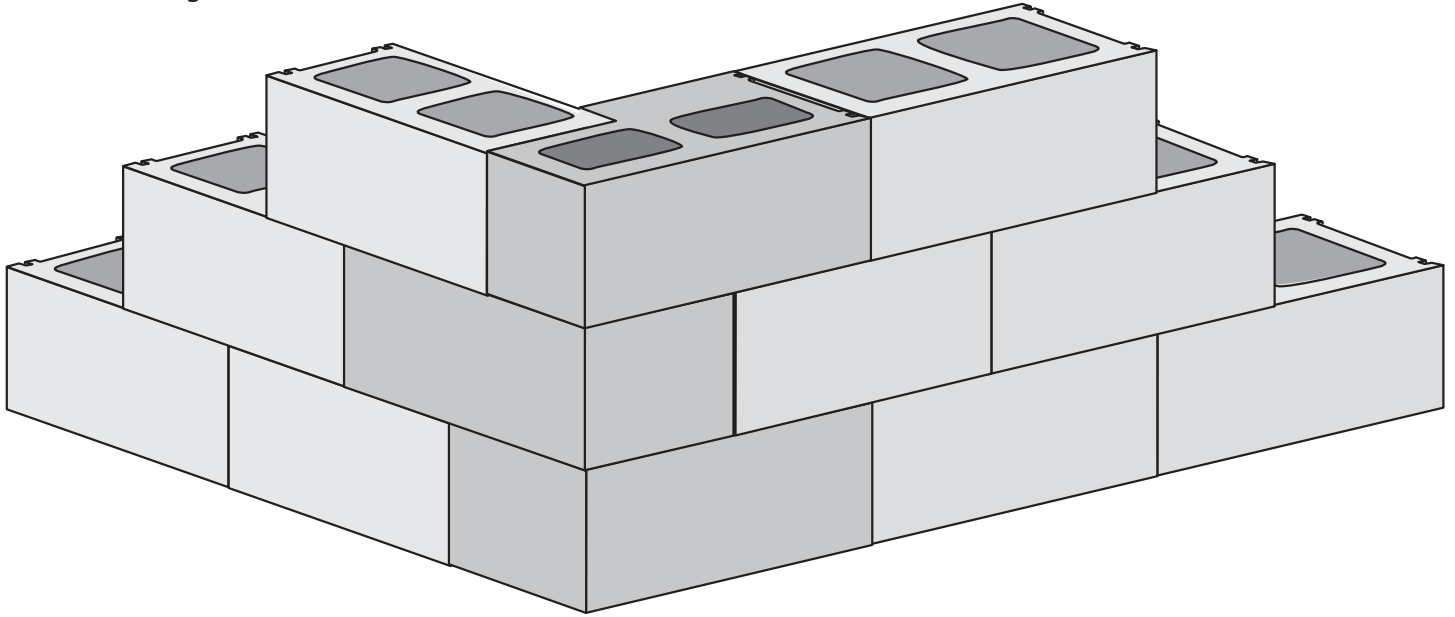
8" Split Face Wall Unit Corner Detail using 8 x 8 x 16 Split Face Corner Unit



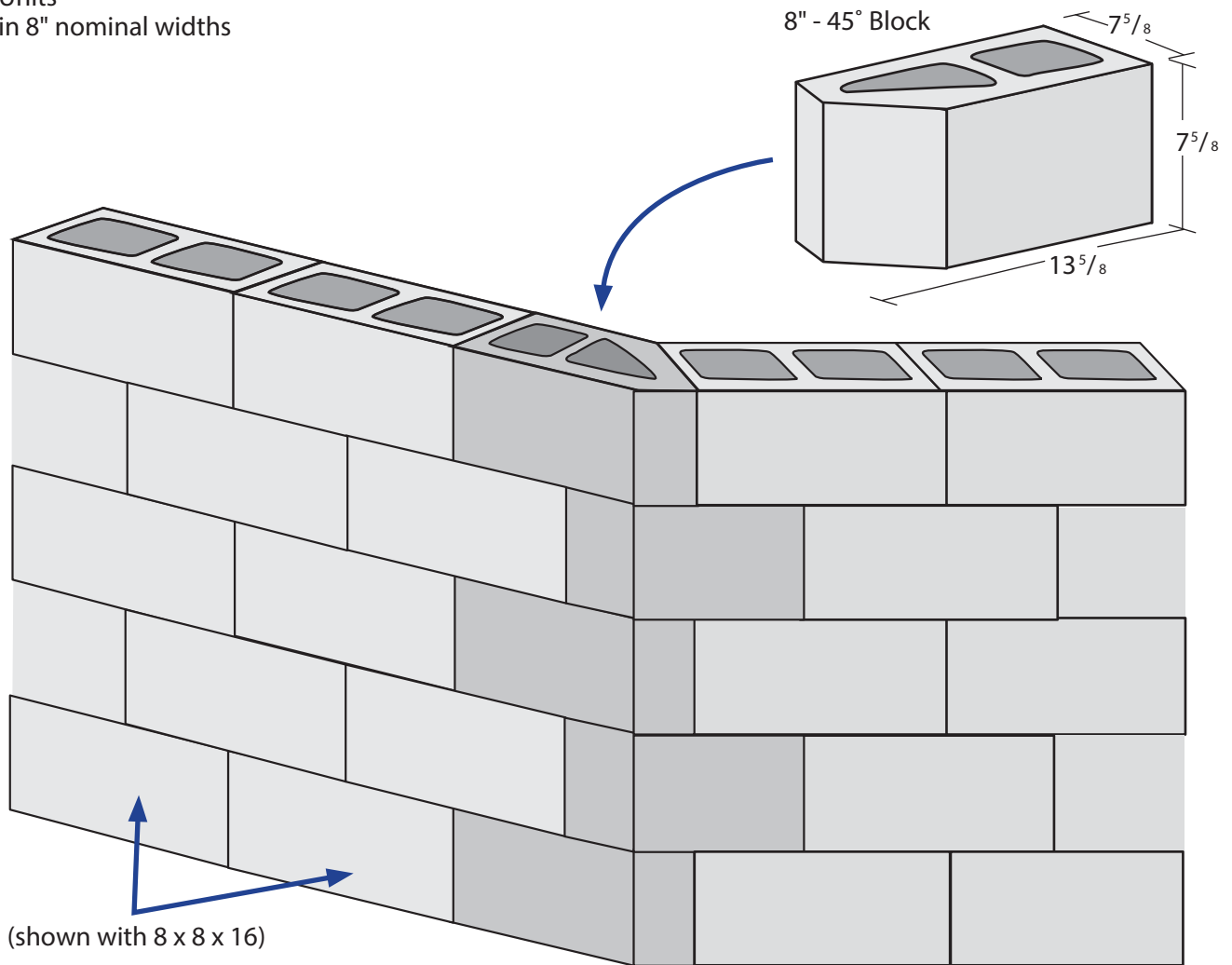
4" Split Face L Corner Detail using 4 x 8 x 16 Split Face Corner Unit



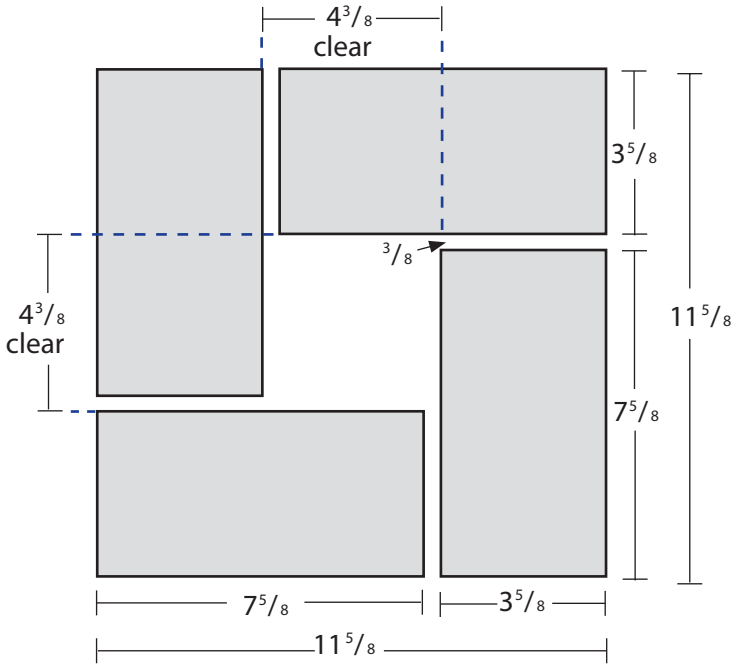
10" or 12" Wall using L Corner Unit



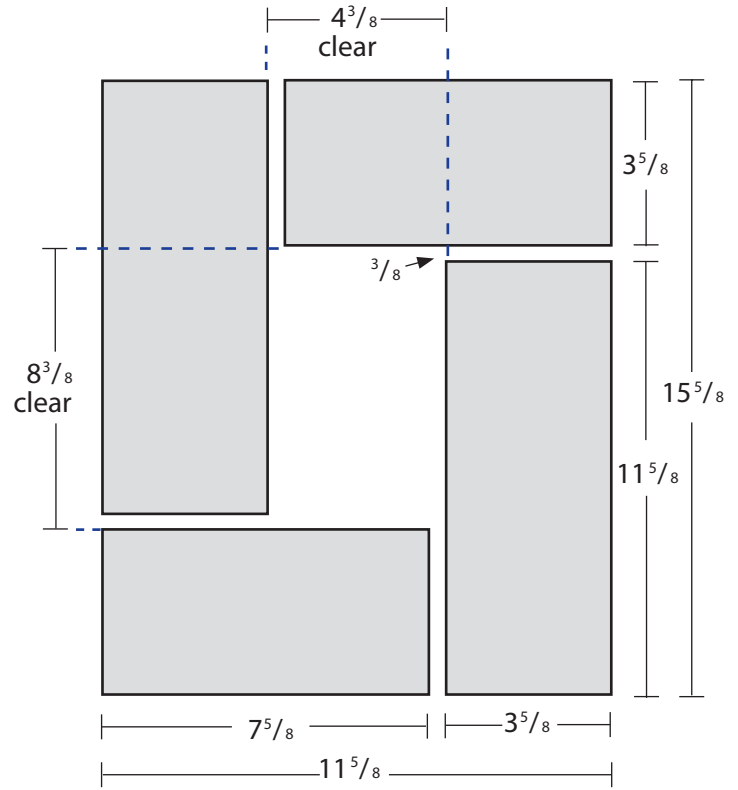
45° Block Units
Available in 8" nominal widths



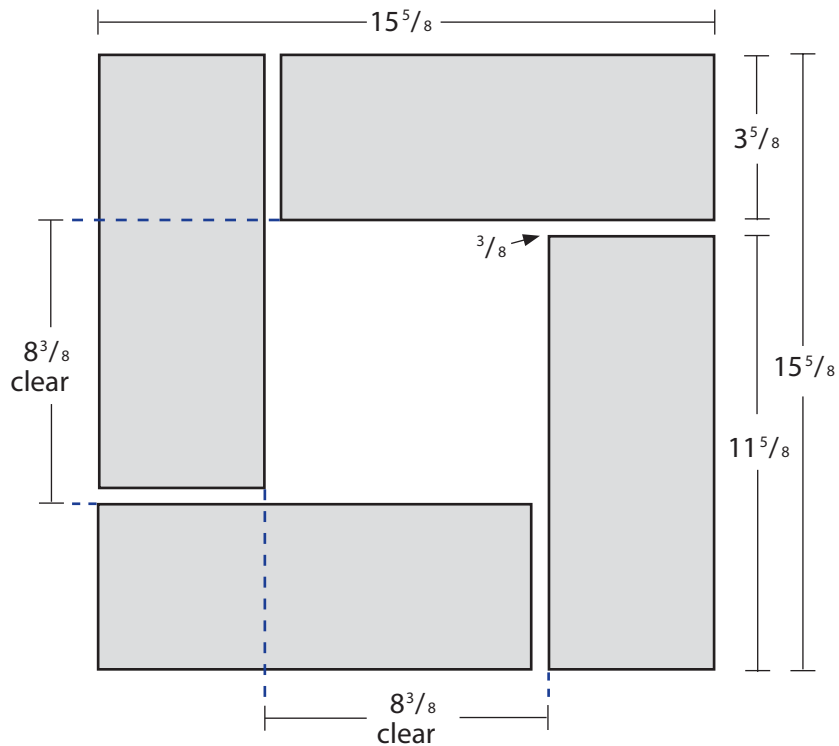
12 x 12 Column
with 4 x 8 x 8 End Column Halves



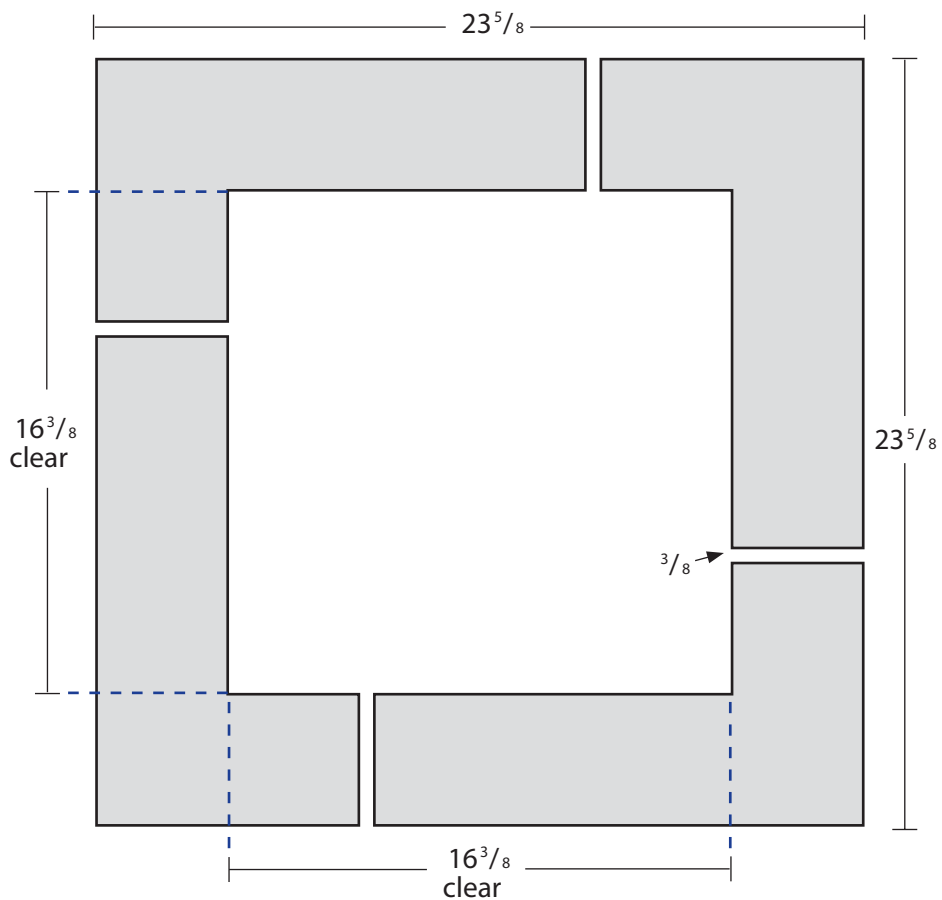
12 x 16 Column
with 4 x 8 x 8 End Column Halves
and 4 x 8 x 12 End Corners



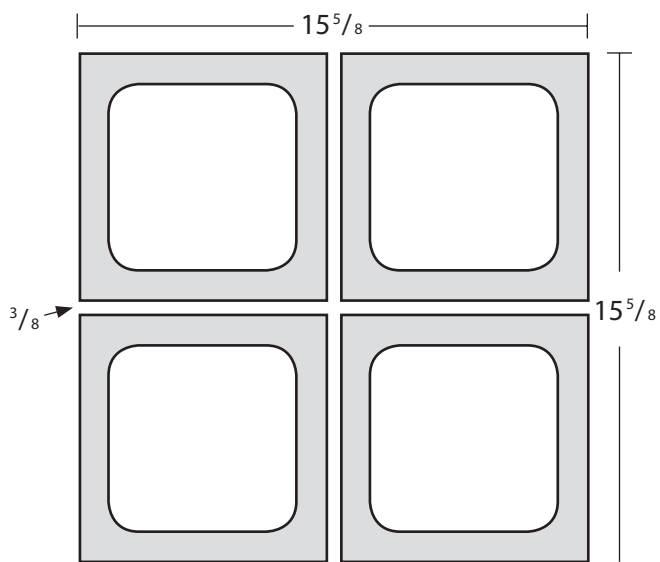
16 x 16 Column
with 4 x 8 x 12 End Corners



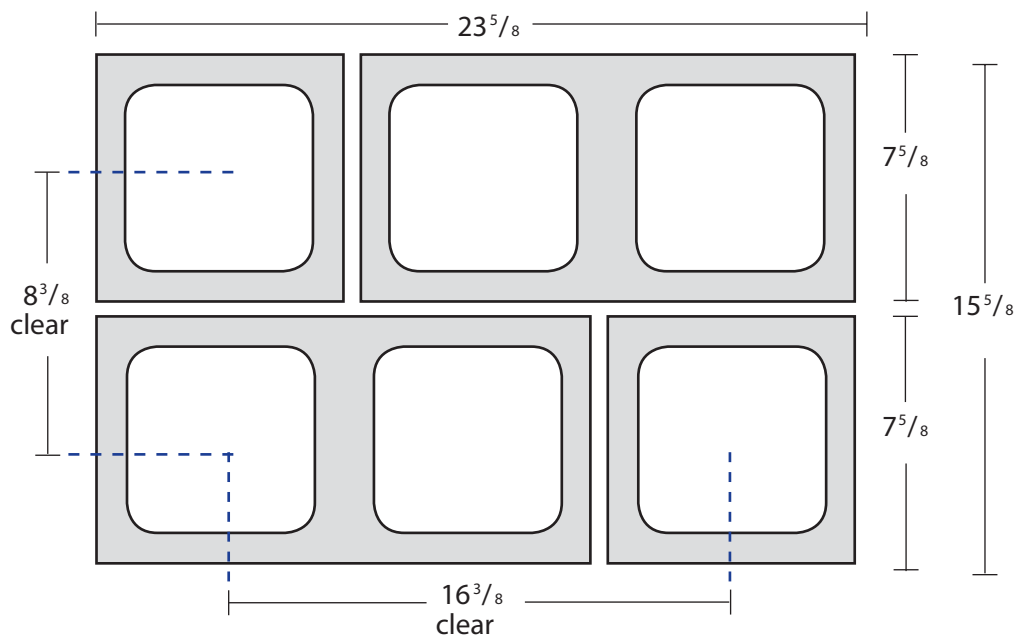
24 x 24 Column
with 4 x 8 x 16 Return Corners



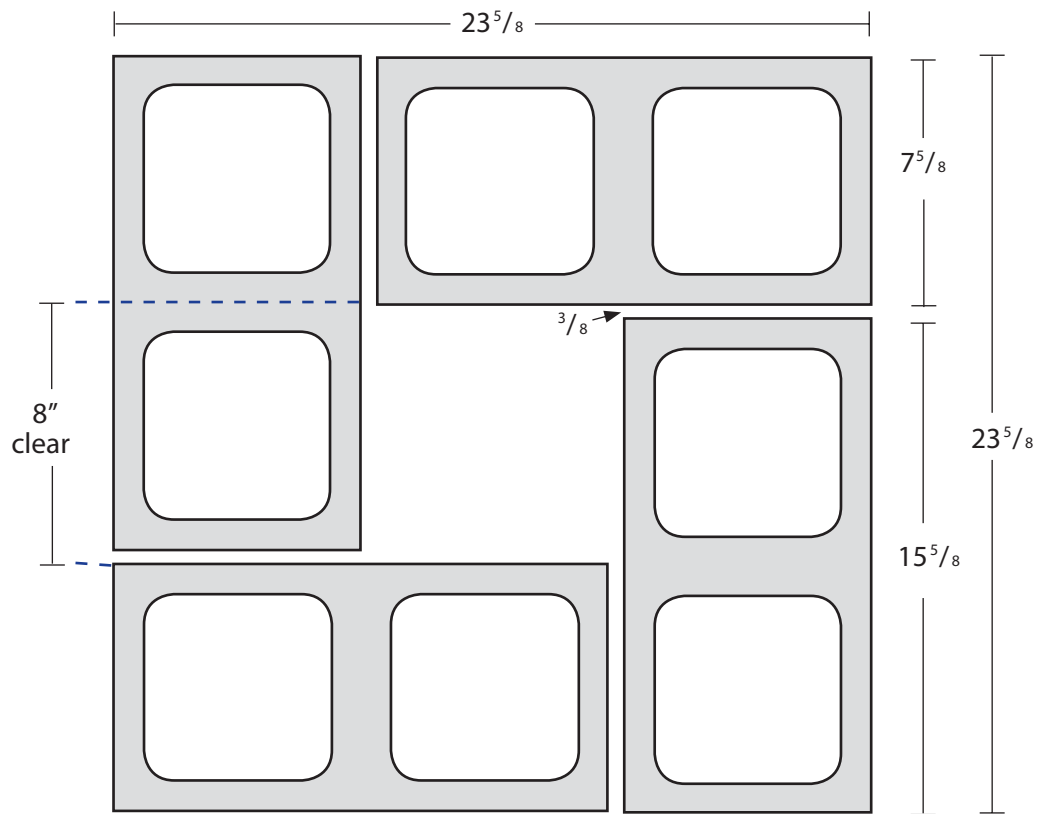
16 x 16 Column
with 8 x 8 x 16 End Corners



16 x 24 Column
with 8 x 8 x 16 End Corners
and 8 x 8 x 8 End Corner Halves



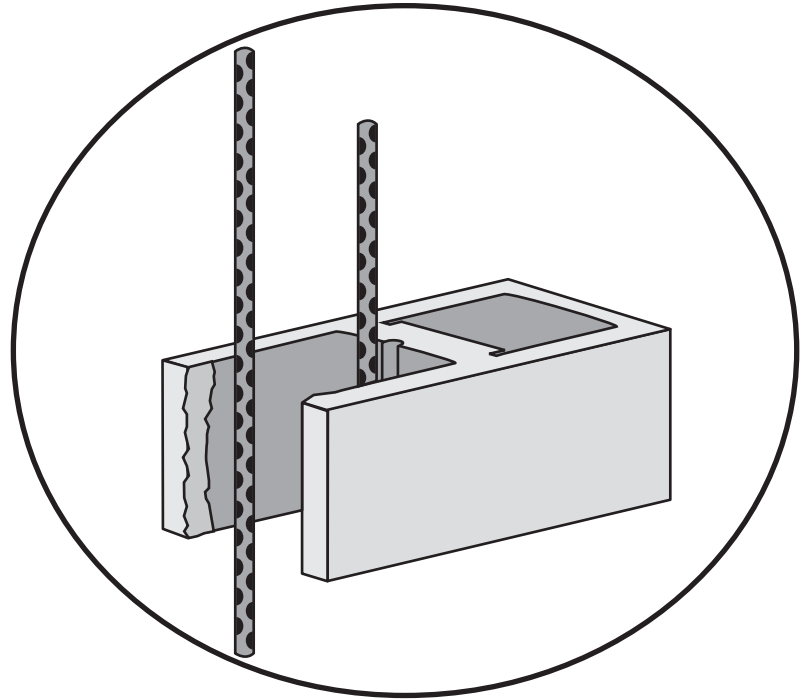
24 x 24 Column
with 8 x 8 x 16 End Corners



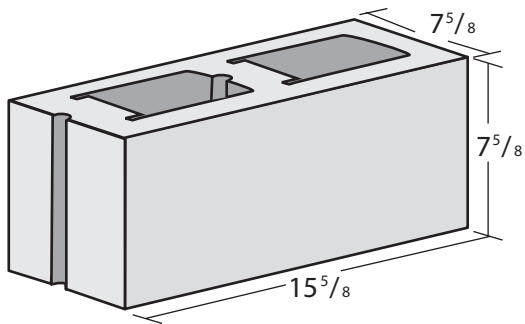
Conduit Block

This versatile unit serves many purposes on the job site. Sawing is minimized as the units will surround re-bars, conduit drains and act as a chase for utilities, as well as an alternative to beam lintel applications.

NOTE: Conduit Block units are available in 8" and 12 " nominal widths.

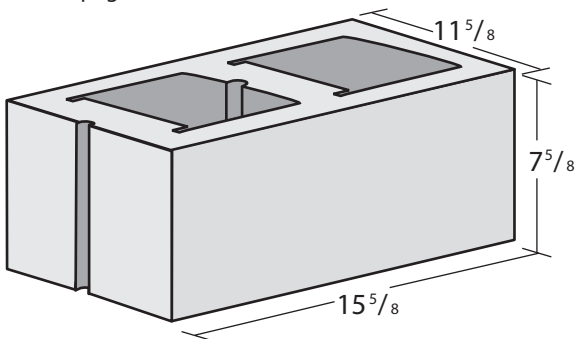


(block from page 7)

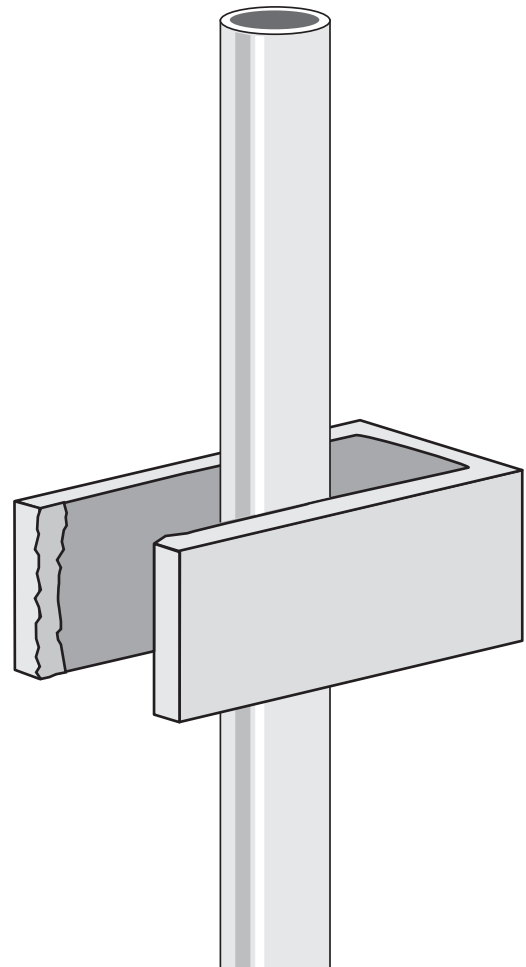


Conduit Block
8 x 8 x 16

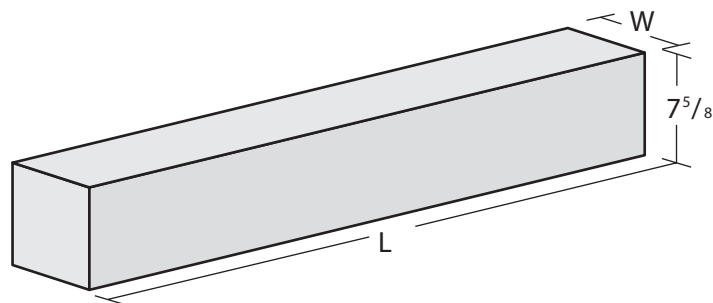
(block from page 11)



Conduit Block
12 x 8 x 16



Reinforced Precast Lintels



Lintel Specifications

Allowable uniformly distributed load (lbs./ft.)

Clear Span	Lintel Length	Lintel Size: 4 x 8		Lintel Size: 6 x 8		Lintel Size: 8 x 8	
		1	2	3	4	5	6
2'8"	4'0"	1410	-	2188	2916	-	
4'0"	5'4"	788	-	1222	1634	-	
5'4"	6'8"	547	-	848	1135	-	
6'8"	8'0"	-	413	649	869	-	
8'0"	9'4"	-	335	501	704	-	
9'4"	10'8"	-	279	-	437	-	585
10'8"	12'0"	-	214	-	377	-	505
Max. Sheer (lbs.)		1193	1180	1851	1831	2482	2455
Max. Moment (ft. lbs.)		2040	3045	4013	5916	6118	8356
Reinforcement (top & bottom)		(1) #4	(1) #5	(2) #4	(2) #5	(2) #5	(2) #6

Material Properties

- Concrete: $f'c = 3,000$ psi
- Reinforcing Steel = 60,000 psi
- Unit Weight = 125 pcf

Product Notes

- Loads indicated are uniformly distributed loads including the weight of the lintel
- Deflection must be checked by an engineer and had not been considered in these load tables



CHANDLER

MEMBER OF THE CHANEY ENTERPRISES FAMILY

700 Block Lane
Christiansburg, VA 24073
540.382.1734

1088 Industrial Drive
Danville, VA 24541
434.792.1233

1040 Pisgah Rd
Goode, VA 24556
540.586.7171

1510 Wallace Ave NE
Roanoke, VA 24012
540.982.3588